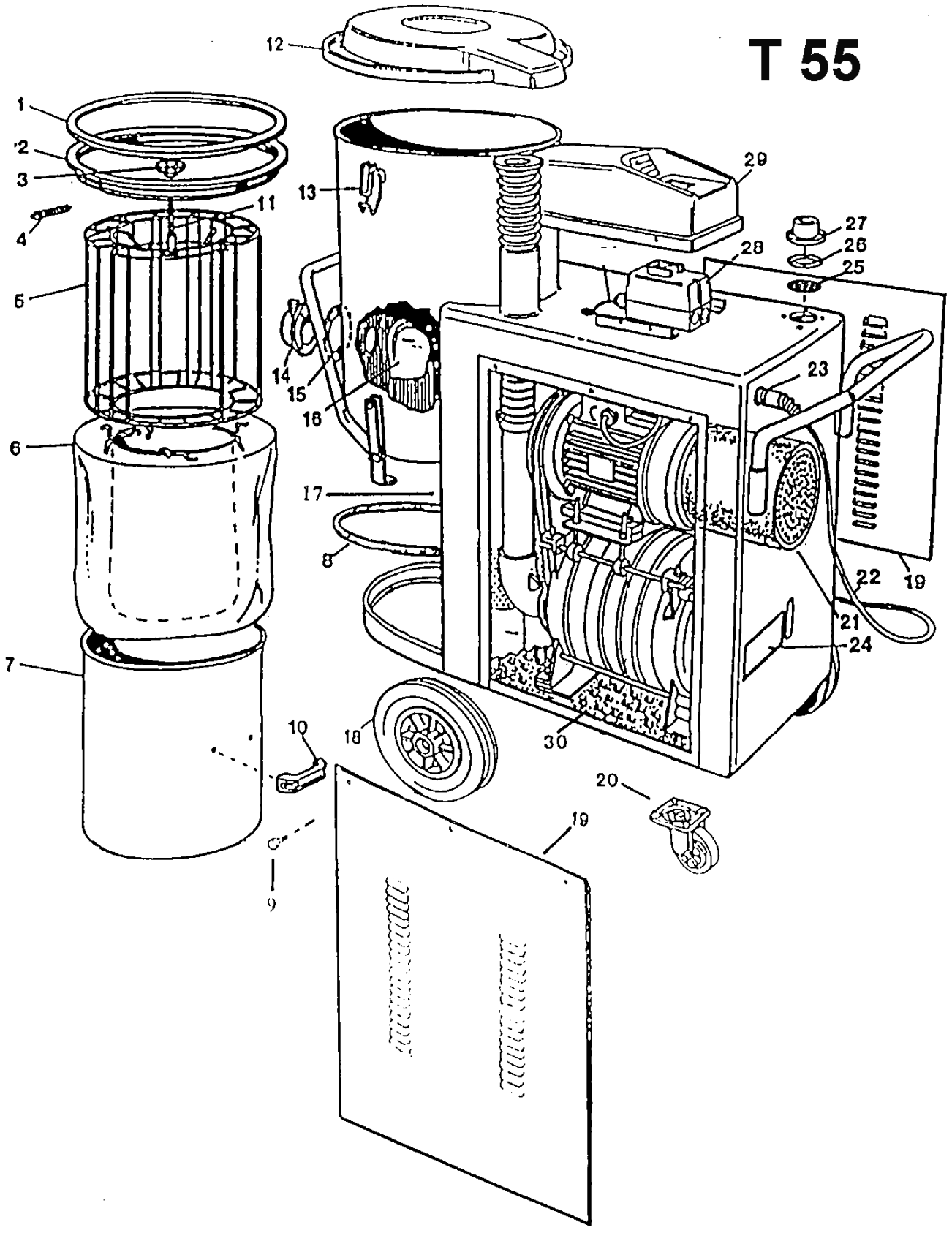


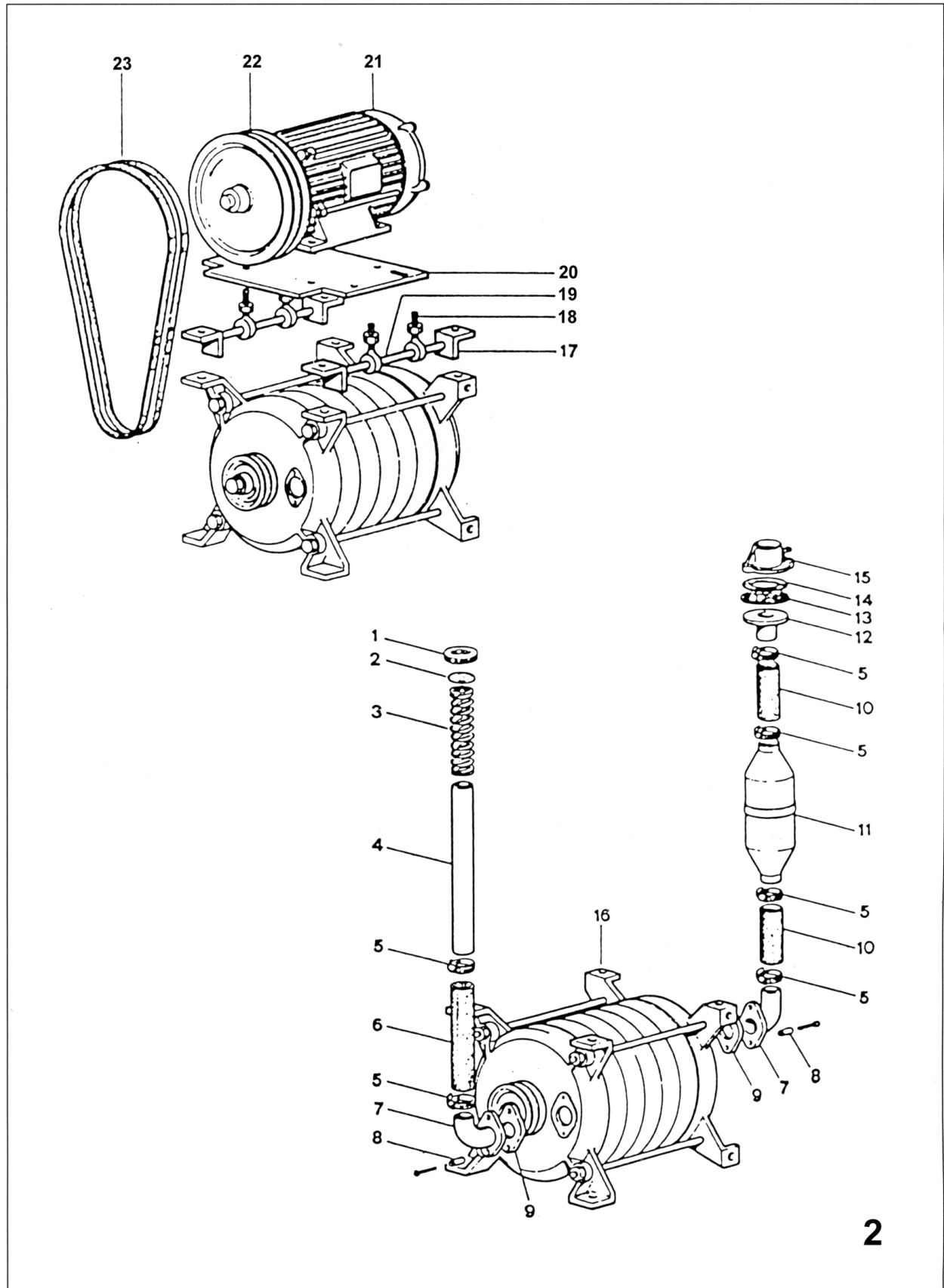
T 55



POS.	REF.	Assy.	N.O.	Omschrijving	Description	Description	Description	Descripción
1	16.551		1	Dichting filterring	Joint Anneau de filtre	Filter ring gasket	Filter ring gasket	Junta de anillo de filtro
2	20.561		1	Filterring	Anneau de filtre	Filter ring	Filter ring	Anillo de filtro
3	15.575		1	Knop filterschudder	Bouton secoueur	Filter shaker knob	Filter shaker knob	Mando de agitador de filtro
4	14.552		4	Veer	Ressort	Filter shaker spring	Filter shaker spring	Muelle
5	20.562		1	Filtermand	Panier	Filter basket	Filter basket	Cesta del filtro
6	20.563		1	Vervang filter	Filtre de rechange	Spare filter	Spare filter	Filtro de repuesto
6	20.564		1	Optionele nylon filter	Filtre nylon optionel	Optional nylon filter	Optional nylon filter	Filtro de nylon opcional
7	14.553		1	Opvangbak	Bac à déchets	Dust bin	Dust bin	Depósito de polvo
8	16.217		1	Dichting opvangbak	Joint bac à déchets	Dust bin gasket	Dust bin gasket	Junta de depósito de polvo
10	15.801		2	Handvat	Manette	Handle	Handle	Empuñadura
11	14.551		1	As filterschudder	Axe secoueur	Filter shaker stick	Filter shaker stick	Varilla de agitador de filtro
12	14.556		1	Bovendeksel	Couvercle supérieur	Top cover	Top cover	Cubierta superior
13	14.469		2	Sluiting	Fermeture	Tank latch	Tank latch	Cierre del depósito
14	14.401		1	Kuipingang ø90	Entrée de cuve ø90	Outlet ø90	Outlet ø90	Salida ø90
15	16.401		1	Dichting kuipingang	Joint	Outlet gasket	Outlet gasket	Junta de salida
16	14.209		1	Deflector ø90	Deflecteur ø90	Deflector ø90	Deflector ø90	Deflector ø90
17	14.558		1	Chassis	Chassis	Machine body	Machine body	Armazón de la máquina
18	19.851		2	Voorwiel	Roue avant	Front wheel	Front wheel	Rueda delantera
19	14.559		2	Zijplaat	Plaque latéral	Side cover	Side cover	Cubierta lateral
20	19.855		2	Achterwiel	Roue arriere	Rear wheel	Rear wheel	Rueda trasera
21	15.880		1	Luchtgeleider	Convoyeur d'air	Air conveyer	Air conveyer	Conductor de aire
22	12.570		1	Netkabel zonder stekker 25A	Cable d'alimentation 25A	Power cord 25A	Power cord 25A	Cable de alimentación 25A
23	12.401		1	Kabeldoorvoer	Passe cable	Cable grommet	Cable grommet	Guía
24	15.884		1	Doorkijkvenster	Fenêtre	Light glass	Light glass	Cristal ligero
25	14.419		1	Rooster	Grille	Outblasting air net	Outblasting air net	Rejilla
26	16.410		1	Dichting	Joint	Outlet gasket	Outlet gasket	Junta de salida
27	14.420		1	Lucht uitlaat	Sortie d'air	Air outlet	Air outlet	Salida

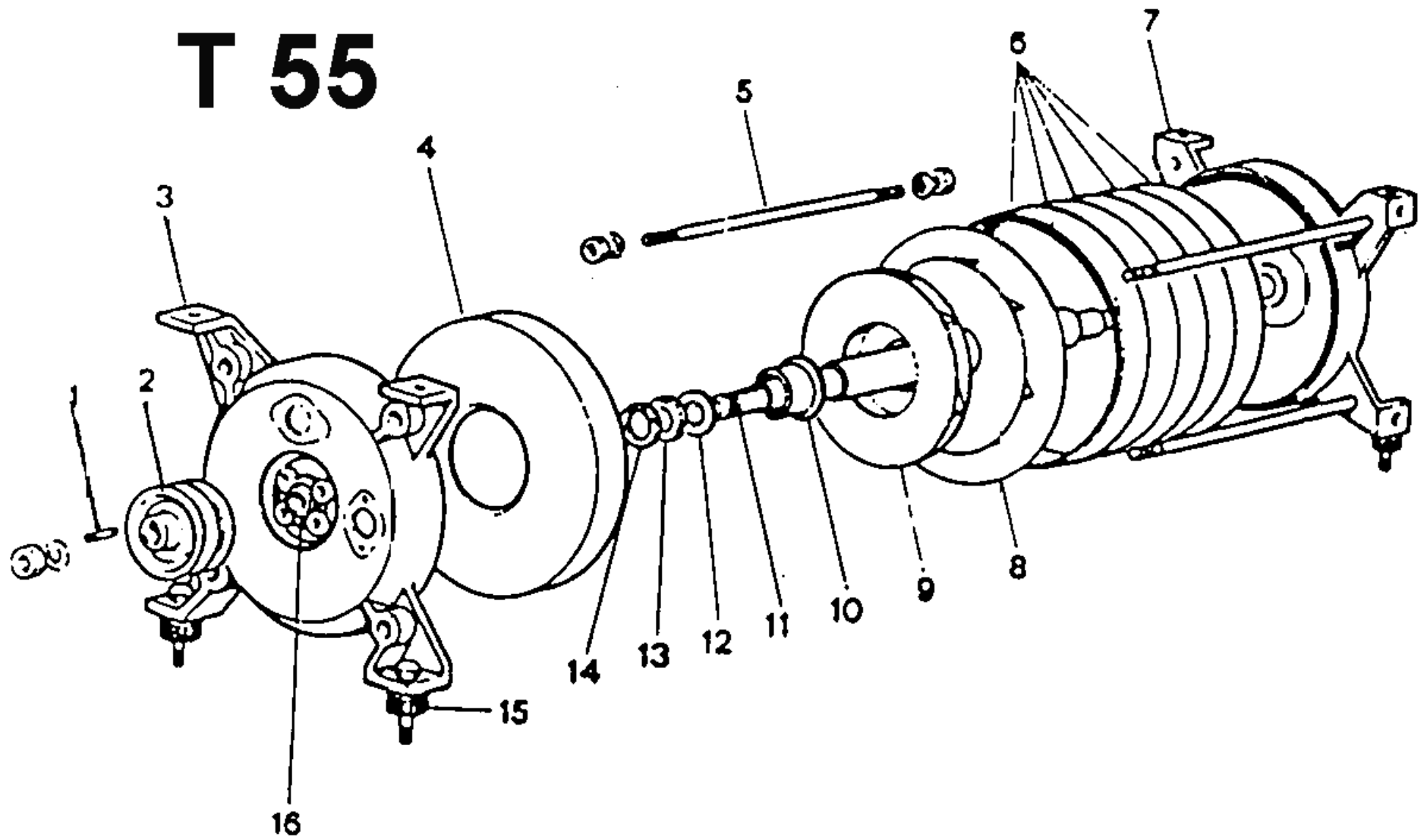
28	12.578		1	16 - 25 A schakelaar	Group interrupteur 16 - 25 A	16 - 25 A switch assembly	16 - 25 A switch assembly	Conjunto de interruptor 16 - 25 A
29	14.561		1	Deksel	Couvercle	Switch board cover	Switch board cover	Cubierta del panel de interruptores
30	15.882		1	Geluidsdemper	Echappement	Noise reducing set	Noise reducing set	Sistema de reducción de ruido

T 55 220-380 25A



POS.	REF.	Assy.	N.O.	Omschrijving	Description	Description	Description	Descripción
1	16.402		1	Dichting	Joint	Air gasket	Air gasket	Junta
2	14.414		1	Rooster	Grille	Grid	Grid	Rejilla
3	14.441		1	Veer	Ressort	Spring	Spring	Muelle
4	14.442		1	PVC buis	Tuyau	Air flow pipe	Air flow pipe	Tube de circulación de aire
5	13.400		2	Klem	Collier	Fastener	Fastener	Cierre de presión
6	15.576		1	Slang	Tuyau	Hose	Hose	Manguera
7	14.417		2	Flens	Flasque	Flange	Flange	Brida
8	13.401		4	Schroef	Vis	Flange screw	Flange screw	Tornillo embridado
9	16.403		2	Dichting	Joint	Gasket	Gasket	Junta
10	15.577		1	Slang	Tuyau	Hose silencer	Hose silencer	Silenciador de manguera
11	14.418		1	Geluidsdemper	Echappement	Silencer	Silencer	Silenciador
12	14.443		1	Flens	Flasque	Flange	Flange	Brida
13	14.444		1	Rooster	Grille	Grid	Grid	Rejilla
14	16.410		1	Dichting	Joint	Outlet gasket	Outlet gasket	Junta de salida
15	14.445		1	Uitgang	Sortie	Outlet	Outlet	Salida
16	17.550		1	Komplete turbine	Turbine complet	Complete turbine	Complete turbine	Turbina completa
17	14.413		4	Houder	Support	Squad	Squad	Soporte
18	14.412		2	Regelstang	Tige d'ajustement	Regulating rod	Regulating rod	Barra de regulación
19	14.462		2	As	Axe	Rod	Rod	Barra de acoplamiento
20	14.409		1	Houderplaat motor	Plaque support moteur	Motor holding plate	Motor holding plate	Placa de soporte del motor
21	12.410_220-380		1	Motor 7,5 PK 220 - 380V	Moteur 7,5 CH 220 - 380V	Motor 7,5 HP 220 - 380 V	Motor 7,5 HP 220 - 380 V	Motor 7,5 HP 220 - 380 V
22	19.400		1	Riemschijf	Poulie	Motor pulley	Motor pulley	Polea de motor
23	ER_RIEM-SPZ1060		2	Riem	Courroie	Transmission belt	Transmission belt	Correa de transmisión
	17.560A		1	Turbine met motor compleet	Turbine + moteur complet	Turbine with motor complete	Turbine with motor complete	Turbina + motor completo

T 55



POS.	REF.	Assy.	N.O.	Omschrijving	Description	Description	Description	Descripción
1	14.421			Sleufpin	Clavette	Key	Key	Llave
2	19.550			Riemschijf turbine	Poulie turbine	Turbine pulley	Turbine pulley	Polea de la turbina
3	14.422			Deksel aanzuigzijde	Couvercle côté aspiration	Suction side casting	Suction side casting	Pieza lateral de succión
4	14.423			Schroefdeksel	Couvercle	Fan cover	Fan cover	Cubierta del ventilador
5	14.562			Trekstang	Tirant	Tie rod	Tie rod	Barra de acoplamiento
6	14.425			Beschermingsring	Anneau de protection	Box stage	Box stage	Plataforma de caja
7	14.426			Deksel uitblaaszijde	Couvercle côté sortie	Blowing side casting	Blowing side casting	Pieza lateral de succión
8	14.427			Grote aanzuigschroef	Ventilateur aspiration grand	Winged stage	Winged stage	Plataforma alada
9	14.428			Kleine aanzuigschroef	Ventilateur aspiration petit	Suction fan	Suction fan	Ventilador de succión
10	14.429			Tussenring	Entretoise	Spacer	Spacer	Separador
11	14.570			Turbine as	Axe de turbine	Turbine shaft	Turbine shaft	Eje de turbina
12	14.431			Rondsel	Rondelle	Washer	Washer	Arandela
13	14.432			Moer SKF	Erou SKF	SKF block	SKF block	Bloque SKF
14	16.406			Smeernippel	Graisseur	Oil insulator	Oil insulator	Aislante de aceite
15	16.407			Schokdemper	Anti-vibrations	Antivibration tool	Antivibration tool	Amortiguador de impactos
16	14.433			Lager met houder	Roulement avec support	Holder with bearing	Holder with bearing	Soporte con cojinete