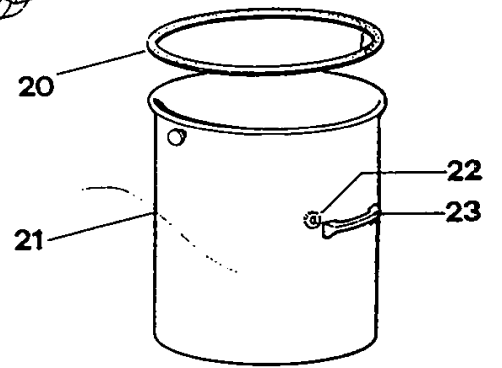
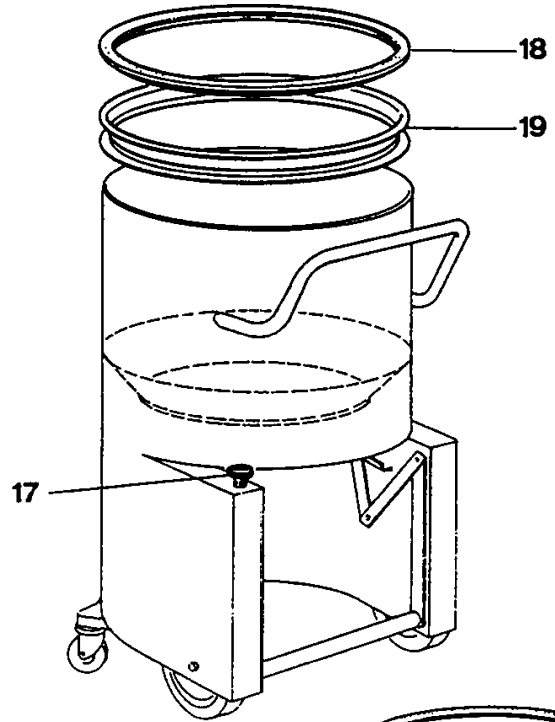
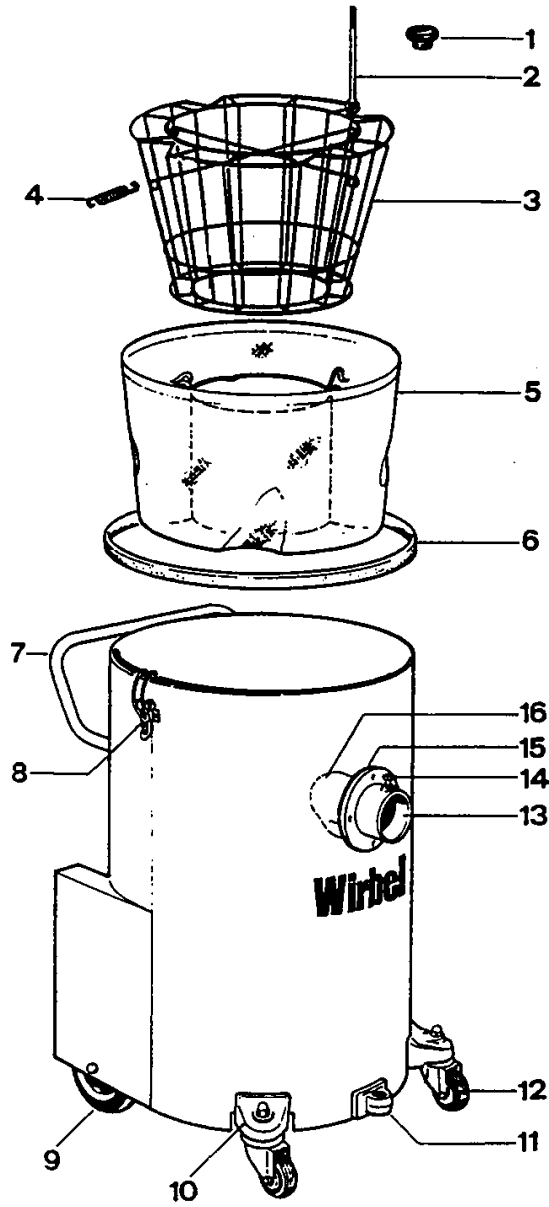


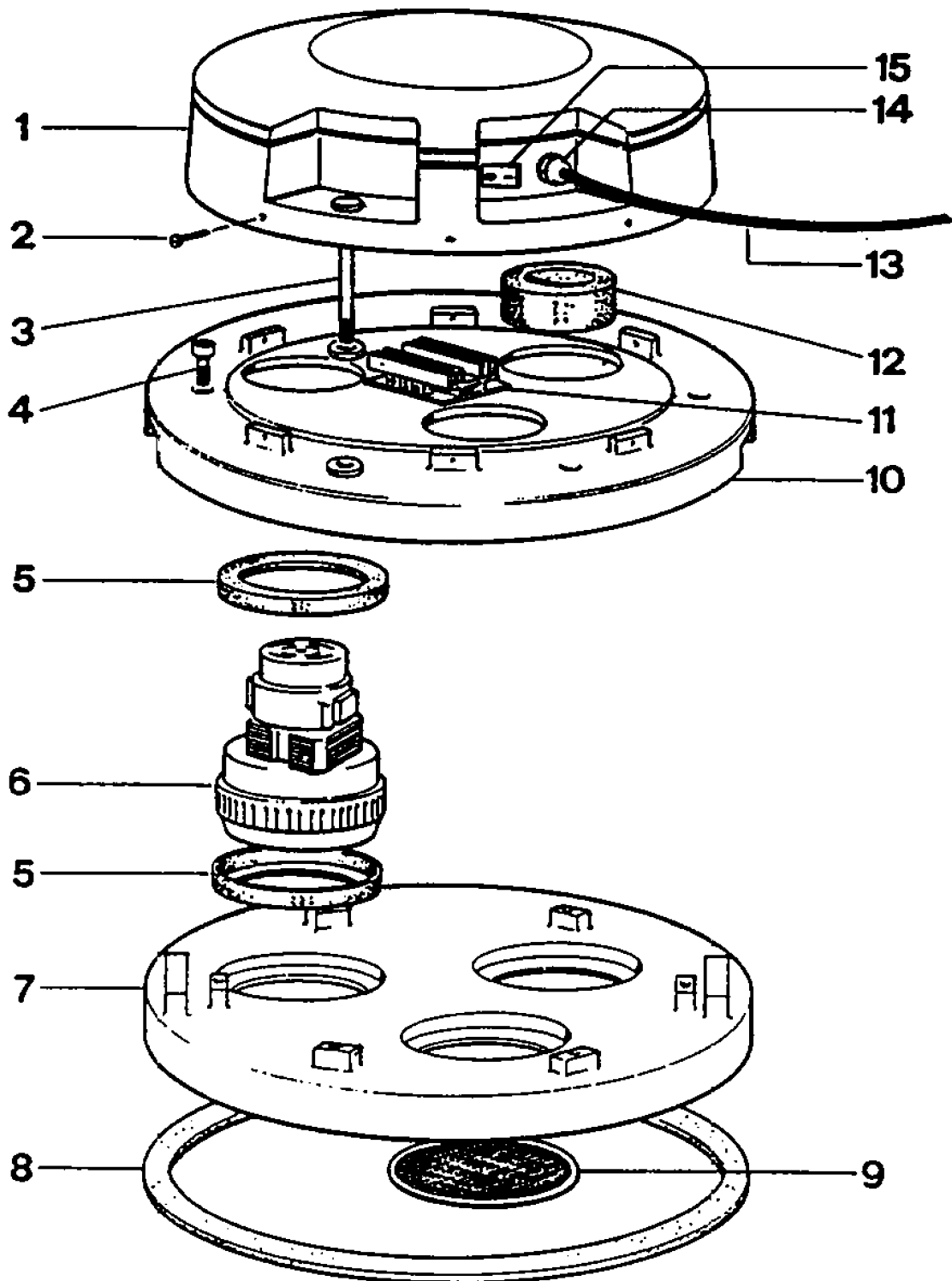
M 3001



POS.	REF.	Assy.	N.O.	Omschrijving	Description	Description	Description	Descripción
1	15.201	B	1	Knop	Bouton	Knob	Knob	Mando
2	14.205	B	1	Stang filterschudder	Tige secoueur de filtre	Tie-rod filter shaker	Tie-rod filter shaker	Barra de agitador de filtro
3	20.210	B	1	Filtermand	Panier	Basket	Basket	Cesta
4	14.552	B	4	Veer	Ressort	Spring	Spring	Muelle
5	20.211	B	1	Vervangfilter	Filtre de rechange	Spare filter	Spare filter	Filtro de repuesto
7	14.206	A	1	Hendel	Anse	Handle	Handle	Mango
8	14.469	A	2	Kuipklem	Crochet	Hook	Hook	Cierre del depósito
9	19.202	A	2	Wiel	Roue	Wheel	Wheel	Rueda
10	14.207	A	2	Blinde moer	Ecrou spéciale	Special nut	Special nut	Tuerca especial
11	14.208	A	1	Verbinding vast-mondstuk	Fixation accessoire fixe	Connection fixed squeegee	Connection fixed squeegee	Conexión de escurridor fijo
12	19.201	A	2	Pivoterend wiel	Roue pivotante	Castor wheel	Castor wheel	Rueda orientable
13	14.401	A	1	Kuipingang	Entrée de cuve	Drum connection	Drum connection	Salida ø90
14	14.478	A	1	Slotje	Fermeture	Closure	Closure	Cierre
15	16.401	A	1	Dichting	Joint	Gasket	Gasket	Junta de salida
16	14.209	A	1	Deflector	Défecteur	Deflector	Deflector	Deflector ø90
18	16.216	B	1	Dichtingsprofiel	Profile	Profile	Profile	Perfil
19	20.212	B	1	Ring	Anneau	Ring	Ring	Anillo
20	16.217		1	Kuipdichting	Joint cuve	Drum gasket	Drum gasket	Junta del tambor
21	14.553		1	Kuip	Cuve	Drum	Drum	Depósito de polvo
22	13.486		4	Schroef	Vis	Screw	Screw	Tornillo
23	14.485		2	Handvat	Poignée	Handgriff	Handgriff	Empuñadura

				<i>Samengestelde onderdelen</i>	<i>Pièces composées</i>	<i>Assembly's</i>	<i>Assembly's</i>	<i>Despieces compuestos</i>
A	17.200		1	Behuizing compleet	Chassis complet	Complete chassis	Complete chassis	Chasis completo
B	17.201		1	Filter compleet	Filtre complet	Complete filter	Complete filter	Filtro completo

M 3001



POS.	REF.	Assy.	N.O.	Omschrijving	Description	Description	Description	Descripción
1	15.203	A	1	Bovendeksel	Capot supérieur	Upper cover	Upper cover	Cubierta superior
2	13.201	A	6	Schroef	Vis	Screw	Screw	Tornillo
3	13.202	A	1	Doorvoer	Passe-tige secoueur	Tie rod passing	Tie rod passing	Carril de barra de acoplamiento
4	13.203	A	5	Schroef	Vis	Screw	Screw	Tornillo
5	16.319	A	6	Dichting	Joint moteur	Gasket motor	Gasket motor	Junta del motor
6	11.700	A	3	Motor	Moteur	Motor	Motor	Motor
7	15.204	A	1	Motor houderplaat	Plaque support moteur	Support plate motor	Support plate motor	Placa de soporte del motor
8	16.200	A	1	Dichting	Joint	Gasket	Gasket	Junta
9	14.210	A	3	Rooster	Grille	Grid	Grid	Rejilla
10	15.205	A	1	Tussenplaat	Plaque intermédiaire	Separator plate	Separator plate	Placa de separador
11	12.253	A	1	Electronische sturing	Plaque électronique	Electronic card	Electronic card	Tarjeta electrónica
12	15.206	A	3	Mousse	Mousse	Fireflex	Fireflex	Fireflex
13	12.251	A	1	Netkabel	Cable d'alimentation	Power cord	Power cord	Cable 3 x 2,5 mm ²
14	12.401	A	1	Kabeldoorvoer	Passe-cable	Fair-lead	Fair-lead	Guía
15	12.359	A	1	Schakelaar	Interrupteur	Switch	Switch	Interruptor
				<i>Samengestelde onderdelen</i>	<i>Pièces composées</i>	<i>Assembly's</i>	<i>Assembly's</i>	<i>Despieces compuestos</i>
A	17.205		1	Kop compleet	Tête complet	Complete head	Complete head	Cabeza completa