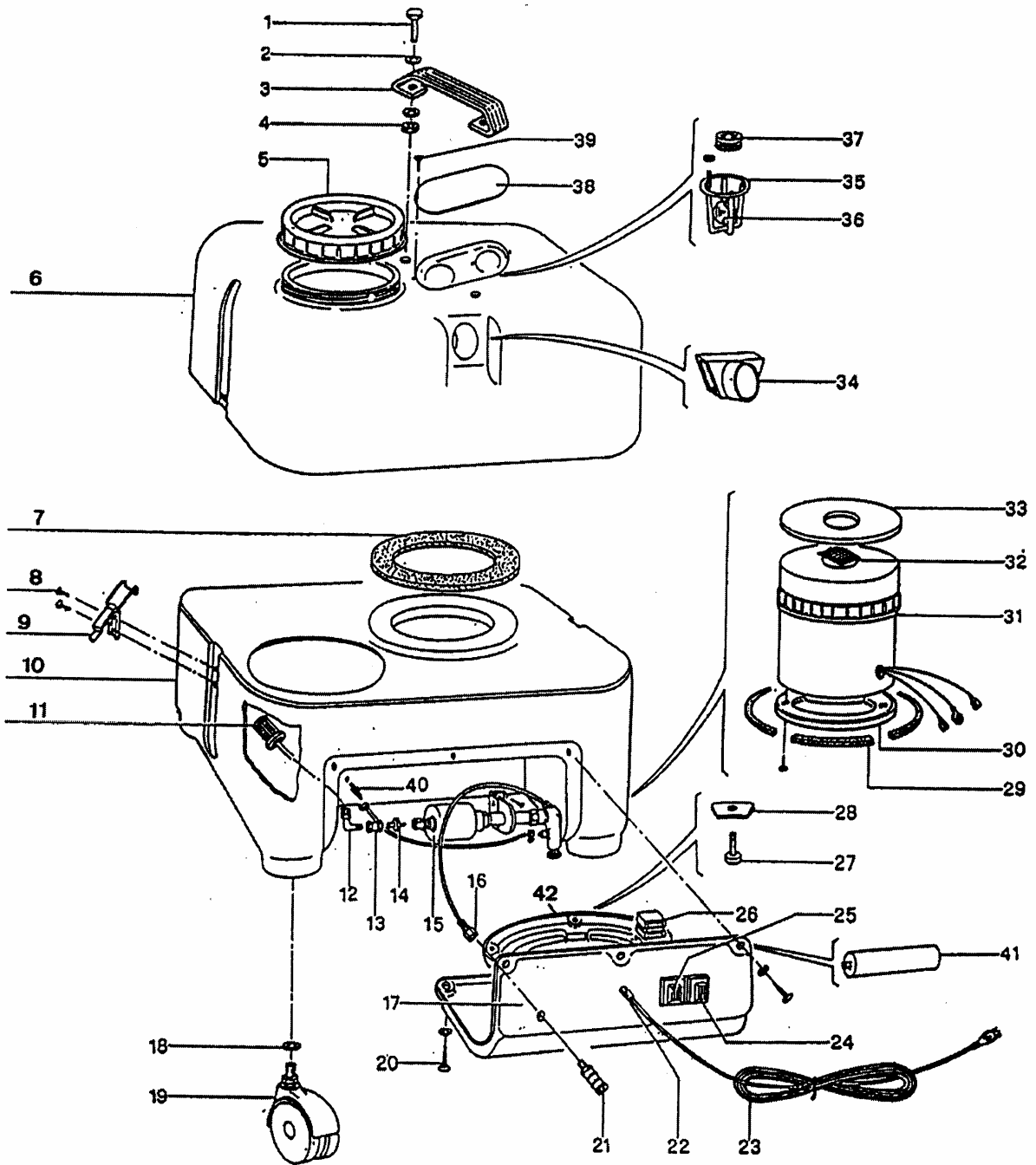


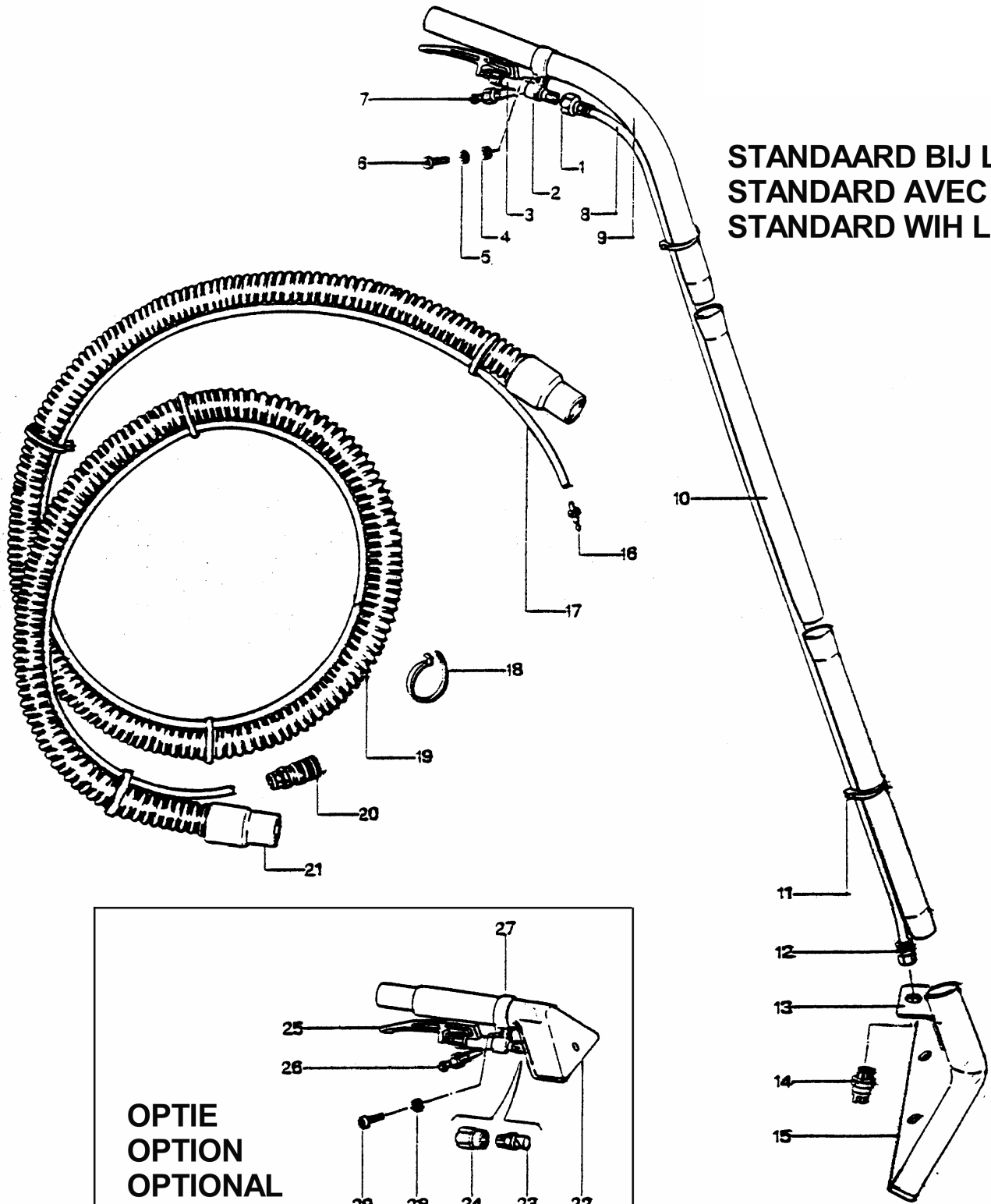
L 12



POS.	REF.	N.O.	Omschrijving	Description	Description	Description	Descripción
1	LEO.12.001		Schroef M6 x 20	Vis M6 x 20	Screw M6x20	Screw M6x20	TORNILLO M6X20
2	ER.38130/060.001		Rondsel ø6	Rondelle ø6	Washer ø6	Washer ø6	ARANDELA ø6
3	LEO.12.003		Handvat	Poignée	Handle	Handle	MANGO
4	LEO.12.004		Moer M6	Ecrou M6	Nut M6	Nut M6	TUERCA M6
5	LEO.12.005		Deksel, transparant	Couvercle réservoir, transparent	Tank cover	Tank cover	CUBIERTA DEL DEPÓSITO,
5.1	LEO.12.005.1		Scharnier	Charnière	Hinge	Hinge	GOZNE
5.2	LEO.12.005.2		Tussenstukje	Entretoise	Pvc-plate	Pvc-plate	PLACA
5.3	LEO.12.005.3		Schroef, inox	Vis inox	Stainless steel screw	Stainless steel screw	TORNILLO INOX
6	LEO.12.006		Vuilwater tank	Réservoir récupération	Recovery tank	Recovery tank	DEPÓSITO DE AGUA SUCIA
7	LEO.12.007		Dichting	Joint mousse	Gasket	Gasket	FIREFLEX
8	LEO.12.008		Zelftappende schroef 3,5x13	Vis autofil. 3,5x13	Selftapping screw 3,5x13	Selftapping screw 3,5x13	TORNILLO AUTORROSC.3,5X13
9	LEO.12.009		Sluithaakje	Crochet fermeture	Hook	Hook	GANCHO DE CIERRE
10	LEO.12.010		Properwater tank	Réservoir solution	Solution tank	Solution tank	DEPÓSITO DE AGUA LIMPIA
11	LEO.12.011		Filter	Filtre	Filter	Filter	FILTRO
12	LEO.12.012		Fitting 90°	Raccord 90°	Fitting 90°	Fitting 90°	CONEXIÓN 90°
14	LEO.12.013		Fitting 17x26	Raccord 17x26	Fitting 17x26	Fitting 17x26	CONEXIÓN 17X26
15	LEO.12.015		Pomp met verbindingen	Pompe avec raccords	Pump with fittings	Pump with fittings	BOMBA L12 SÓLO
15	LEO.12.015BP		Pomp met by-pass verbindingen	Pomp avec by-pass complet	Pump with by-pass complete	Pump with by-pass complete	BOMBA DE DERIVACIÓN
16	LEO.12.016		Fitting C2 6/4 1/8	Raccord C2 6/4 1/8	Fitting C2 6/4 1/8	Fitting C2 6/4 1/8	CONEXIÓN C2 6/4 1/8
17	LEO.12.017		Deksel, onderkant	Couvercle inférieur	Cover, lower	Cover, lower	CUBIERTA DE LA BOMBA
17	LEO.12.008		Zelftappende schroef 3,5x13	Vis autofil. 3,5x13	Selftapping screw 3,5x13	Selftapping screw 3,5x13	TORNILLO 3,5X13
17	ER.38130/040.001		Rondsel ø4x9	Rondelle ø4x9	Washer ø4x9	Washer ø4x9	ARANDELA M4X9
18	LEO.12.018		Rondsel ø8x17	Rondelle ø8x17	Washer ø8x17	Washer ø8x17	ARANDELA M8X17
19	LEO.12.019		Pivoterend wiel	Roue pivotant	Castor wheel	Castor wheel	RUEDA PIVOTANTE
20	LEO.12.008		Zelftappende schroef 3,5x13	Vis autofil. 3,5x13	Selftapping screw 3,5x13	Selftapping screw 3,5x13	TORNILLO AUTORROSC.3,5X13
20	ER.38130/040.001		Rondsel ø4x9	Rondelle ø4x9	Washer ø4x9	Washer ø4x9	ARANDELA M4X9
21	LEO.12.021		Snelkoppeling fem.	Raccord rapide fem.	Quick snap coupling fem.	Quick snap coupling fem.	ACOPLAMIENTO RÁPIDO
22	LEO.12.022		Kabeldoorvoer	Passe-cable	Fair lead	Fair lead	GUÍA

23	LEO.12.023	Voedingskabel 7m 3x1mm ²	Cable d'alimentation 7m 3x1mm ²	Power cable 7m 3x1mm ²	Power cable 7m 3x1mm ²	CABLE 3X1MM ² - 7 M
24	LEO.12.024	Schakelaar	Interrupteur	Switch	Switch	INTERRUPTOR
25	LEO.12.025	Schakelaar	Interrupteur	Switch	Switch	INTERRUPTOR
26	LEO.12.026	Contactblokje	Bloc de contacts	Contact strip	Contact strip	BLOQUE DE CONTACTO
27	LEO.12.008	Zelftappende schroef 3,5x13	Vis autofil. 3,5x13	Selftapping screw 3,5x13	Selftapping screw 3,5x13	TORNILLO AUTORROSC.3,5X13
28	LEO.12.028	Houderplaatje	Patte de fixation	Fixation plate	Fixation plate	PLACA DE SOPORTE DEL MOTOR
29	LEO.12.029	Dichting	Joint mousse	Gasket	Gasket	TORNILLO AUTORROSC.3,5X13
30	LEO.12.030	Dichting (dubbel)	Joint double	Double gasket	Double gasket	CONECTOR DOBLE
31	LEO.12.031	Zuigmotor	Moteur aspiration	Suction motor	Suction motor	MOTOR DE SUCCIÓN
31	LEO.12.031CPL	Zuigmotor compleet met aansluitingen	Moteur aspiration compl.+connections	Suction motor complete+connections	Suction motor complete+connections	MOTOR DE SUCCIÓN COMPLETO
32	LEO.12.032	Roosterje	Grille	Grid	Grid	REJILLA
33	LEO.12.033	Dichting in rubber	Joint en caoutchouc	Gasket in rubber	Gasket in rubber	CONECTOR DE CAUCHO
34	LEO.12.034	Deflector	Défecteur	Deflector	Deflector	DEFLECTOR
35	LEO.12.035	Vlottermandje	Panier flotteur	Basket	Basket	CESTA DE FLOTADOR
36	LEO.12.036	Vlotter	Flotteur	Float	Float	FLOTADOR
37	LEO.12.037	Kabeldoorvoer	Passe-cable	Fair lead	Fair lead	GUÍA
38	LEO.12.038	Afdekplaatje	Plaque de protection	Protection plate	Protection plate	CUBIERTA
39	LEO.12.039	Schroef M4	Vis M4	Screw M4	Screw M4	TORNILLO M4
40	LEO.12.040	Doorvoer	Passe-cable	Fair lead	Fair lead	GUÍA
41	LEO.12.041	Filter AR100	Filtre AR100	Filter AR100	Filter AR100	FILTRO AR100
42	LEO.12.042	Motordeksel onderkant	Couvercle moteur inférieur	Motor cover	Motor cover	CUBIERTA DEL MOTOR

STANDAARD BIJ L 12
 STANDARD AVEC L 12
 STANDARD WIH L 12



POS.	REF.	N.O.	Omschrijving	Description	Description	Description	Descripción
1	LEO.01.001		Fitting C23 8/6 1/4	Raccord C2 8/6 1/4	Fitting C2 8/6 1/4	Fitting C2 8/6 1/4	ACOPLAMIENTO C2 8/6 1/4
2	LEO.05.027		Houder voor hendel	Support manette	Handle support	Handle support	SOPORTE DEL MANGO
3	LEO.01.003		Hendel	Manette	Handle	Handle	MANGO
4	LEO.01.004		Moer M4	Ecrou M4	Nut M4	Nut M4	TUERCA M4
5	LEO.01.005		Rondsel ø4	Rondelle ø4	Washer ø4	Washer ø4	ARANDELA M4
6	LEO.01.006		Schroef ø4	Vis ø4	Screw ø4	Screw ø4	TORNILLO M4
7	LEO.01.007		Snelkoppeling mal.	Raccord rapide mal.	Quick snap coupling mal.	Quick snap coupling mal.	ACOPLAMIENTO RÁPIDO
8	LEO.01.008		Slangetje in RILSAN 110cm.	Tuyau en RILSAN 110cm.	RILSAN tube 110cm.	RILSAN tube 110cm.	TUBO DE RILSAN 110 CM
9	LEO.01.009		Gebogen buis	Tuyau courbée	Curved tube	Curved tube	TUBO CONECTADO
10	LEO.01.010		Rechte buis 0,5m	Tuyau droit 0,5m	Straight tube 0,5m	Straight tube 0,5m	TUBO DERECHO
11	LEO.01.011		Clip	Circlips	Seeger	Seeger	PINZAS
12	LEO.01.012		Snelkoppeling R2 8 1/8	Raccord rapide R2 8 1/8	Quick snap coupling R2 8 1/8	Quick snap coupling R2 8 1/8	ACOPLAMIENTO RÁPIDO R2 8 1/8
13	LEO.01.013		Houder voor sproeikop	Support injecteur	Support for spray-nozzle	Support for spray-nozzle	SOPORTE DE BOQUILLA DE PULVERIZACIÓN
14	LEO.01.014		Komplete sproeikop H1/8 W8003	Injecteur complet H1/8 W8003	Complete spray-nozzle H1/8 W8003	Complete spray-nozzle H1/8 W8003	PULVERIZADOR COMPLETO H 1/8 W 8003
15	LEO.01.015		Zuigmond	Bouche aspiration	Suction mouth	Suction mouth	BOCA DE SUCCIÓN
16	LEO.02.016		Snelkoppeling mal.	Raccord rapide mal.	Quick snap coupling mal.	Quick snap coupling mal.	ACOPLAMIENTO RÁPIDO MACHO
17	LEO.02.017		Slangetje extraflex 8/6 250cm	Tuyau extraflex 8/6 250cm	Pipe extraflex 8/6 250cm.	Pipe extraflex 8/6 250cm.	MANGUERA EXTRAFLEX 8/6 - 250 CM
18	LEO.02.018		Snelbinder	Collier	Clamp	Clamp	COLLAR
19	LEO.02.019		Flexibel ø32 230cm	Flexible ø32 230cm.	Hose ø32 230cm.	Hose ø32 230cm.	MANGUERA FLEXIBLE DIÁM. 32 - 230 CM
20	LEO.02.020		Snelkoppeling	Raccord rapide	Quick snap coupling	Quick snap coupling	ACOPLAMIENTO RÁPIDO
21	LEO.02.021		PVC ø32	PVC ø32	PVC ø32	PVC ø32	PVC DIÁM. 32
22	LEO.05.022		Zuigmond in PVC	Bouche aspiration	Suction mouth	Suction mouth	BOCA DE SUCCIÓN
23	LEO.05.023		Sproeikop	Injecteur	Spray-nozzle	Spray-nozzle	BOQUILLA DE PULVERIZACIÓN
24	LEO.05.024		Houder voor sproeikop	Support injecteur	Support for spray-nozzle	Support for spray-nozzle	SOPORTE DE BOQUILLA DE PULVERIZACIÓN
25	LEO.05.025		Hendel	Manette	Handle	Handle	MANGO
26	LEO.05.026		Snelkoppeling	Raccord rapide	Quick snap coupling	Quick snap coupling	ACOPLAMIENTO RÁPIDO
27	LEO.05.027		Houder voor hendel	Support manette	Handle support	Handle support	SOPORTE DEL MANGO
28	LEO.05.028		Moer	Ecrou	Nut	Nut	TUERCA M4
29	LEO.05.029		Schroef	Vis	Screw	Screw	TORNILLO M4

