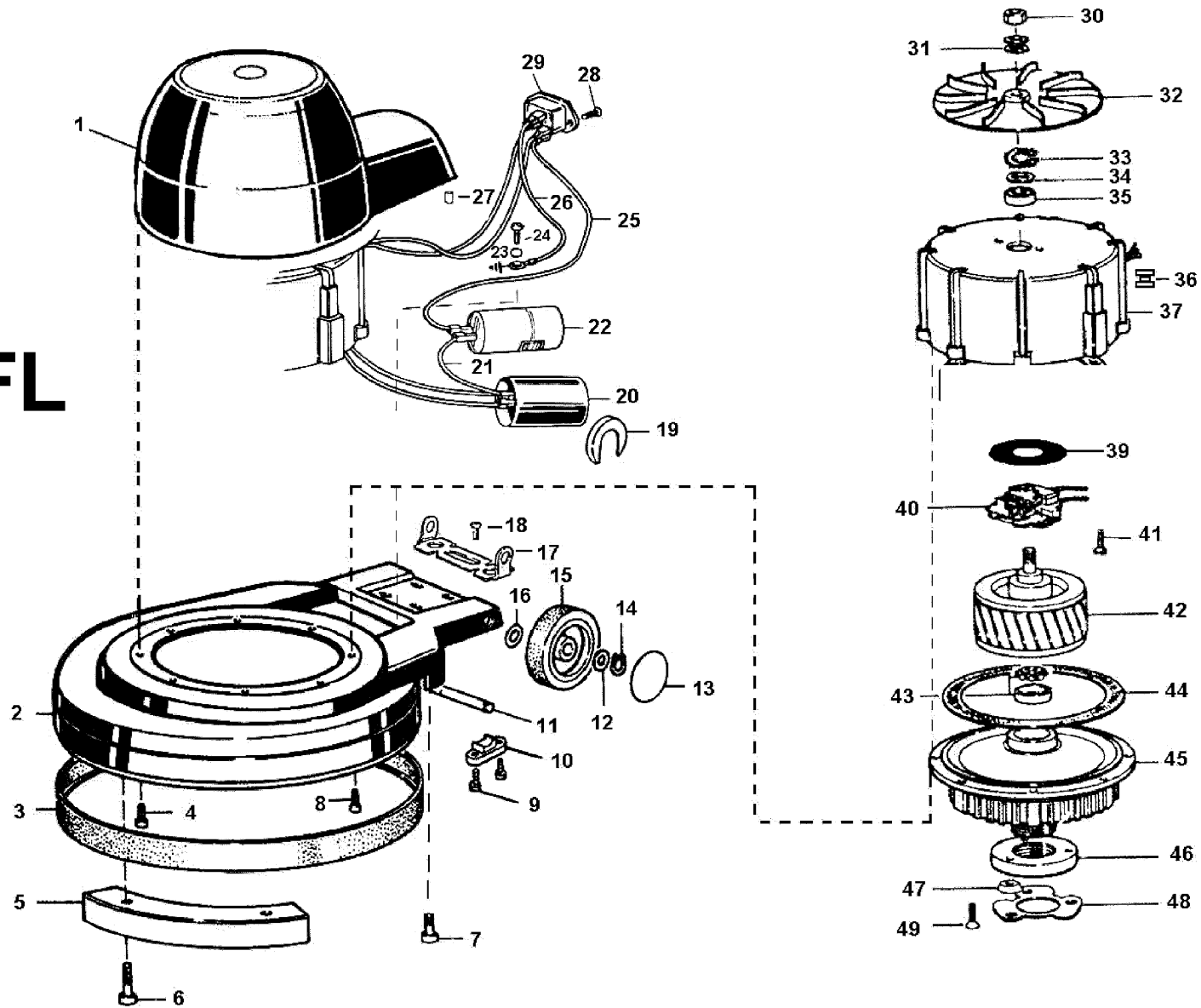
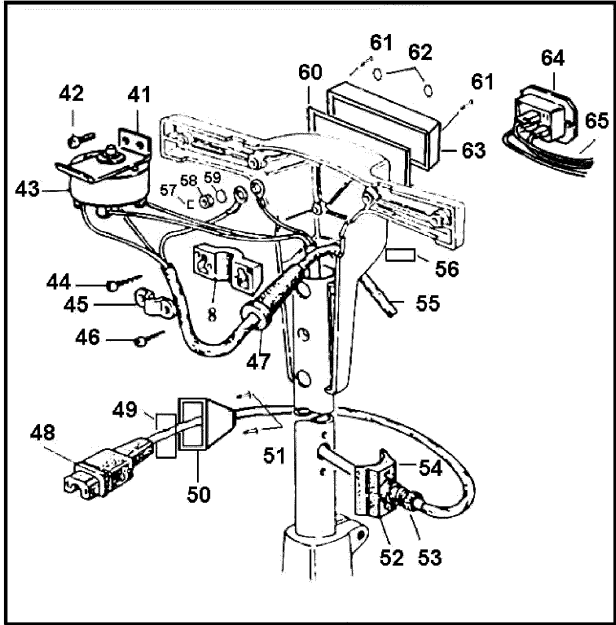
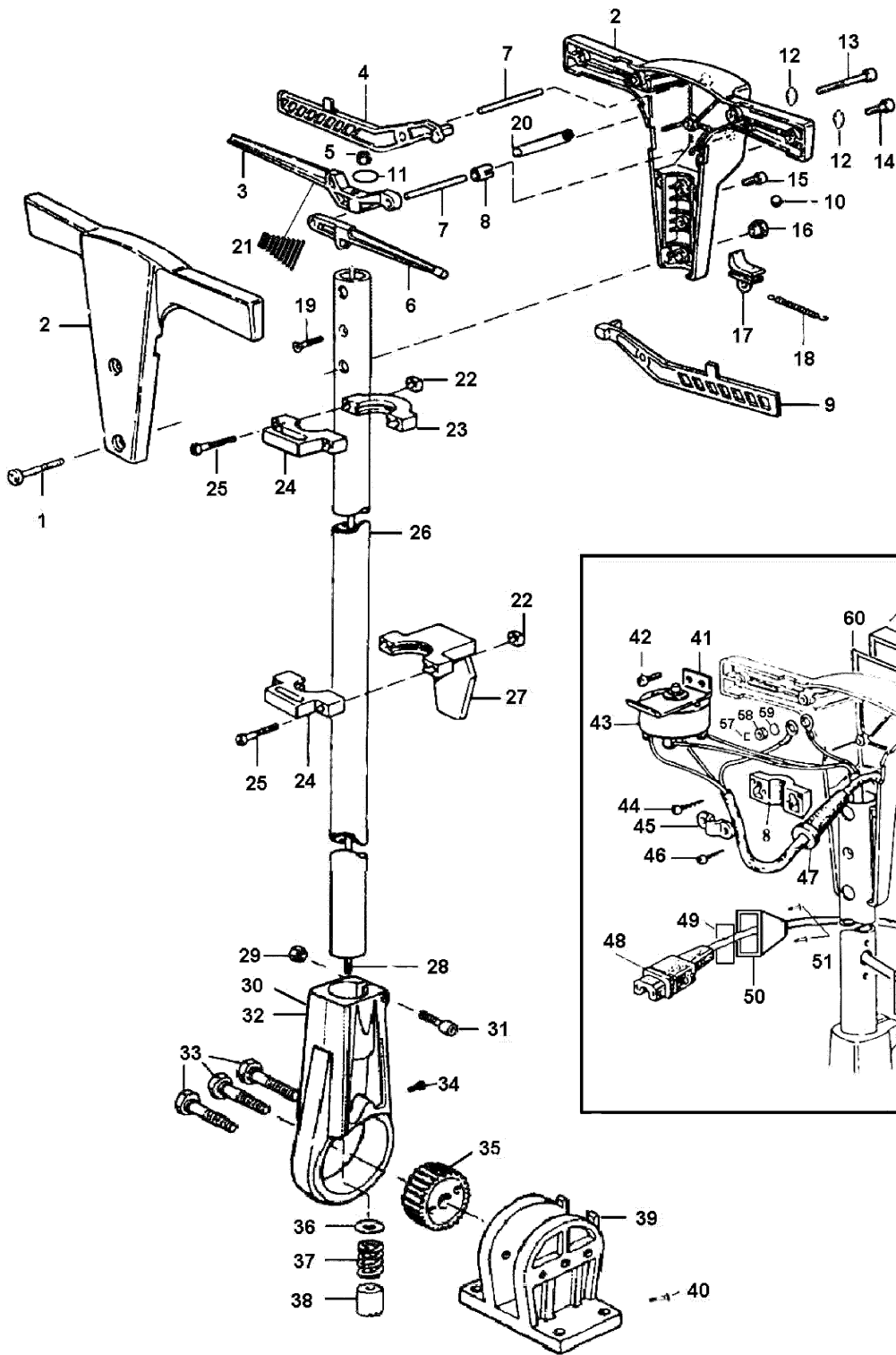


C 43 FL



POS.	REF.	Assy.	N.O.	Omschrijving	Description	Description	Umschreibung	Descripcion
1	15-226FL	A	1	Motor huis	Couvercle moteur	Motor housing	Motor housing	Compartimiento del motor
2	10-127	A	1	Basisplaat	Base machine	Base casting	Base casting	Pieza de base
3	16-375	A	1	Stootrubber	Pare-choc	Rubber buffer	Rubber buffer	Amortiguador de caucho
4	13-801	A	8	Schroef	Vis	Screw	Screw	Tornillo
5	14-119P	A	1	Tegen gewicht	Contre poids	Counter weight	Counter weight	Contrapeso
6	13-932P	A	2	Schroef M8x25	Vis	Screw	Screw	Tornillo
7	13-908P	A	4	Schroef M5x35	Vis M5x35	Screw M5x35	Screw M5x35	Tornillo de cubierta M5x35
8	13-911	A	3	Schroef M5x25	Vis M5x25	Screw M5x25	Screw M5x25	Tornillo de cubierta M5x25
9	2508562	A	4	Schroef 4,8 x 13	Vis 4,8 x 13	Screw 4,8 x 13	Screw 4,8 x 13	Tornillo 4,8 x 13
10	15-135	A	2	Asbevestiging	Fixation axe de roue	Axle retainer	Axle retainer	Retén de eje
11	14-120P	A	1	Wielas	Axe de roue	Wheel axle	Wheel axle	Eje de rueda
12	13-008	A	2	Rondsel diam.12	Rondelle diam.12	Washer diam.12	Washer diam.12	Arandela diám.12
13	19-252 FL	A	2	Wieldeksel	Couvercle roue	Wheel cover	Wheel cover	Tapa rueda
14	13-937	A	2	Borgveer diam.12	circlips diam.12	Circlip diam.12	Circlip diam.12	Anillo de seguridad diám.12
15	19-251P	A	2	Wiel, nieuw model, diam.125	Roue, nouveau modèle diam.125	Wheel, new model, diam.125	Wheel, new model, diam.125	Rueda, modelo nueva, diam.125
16	13-936	A	2	Rondsel	Rondelle	Washer	Washer	Arandela
17	14-117	A	1	Houder condensator	Support condensateur	Capacitor support	Capacitor support	Soporto condensador
18	10-973	A	1	Schroef 5x10	Vis 5x10	Screw 5x10	Screw 5x10	Tornillo 5x10
19	12-121A	A	1	Kapje condensator	Capot condensateur	Capacitor cap	Capacitor cap	Tapa condensador
20	12-121	A	1	Condensator	Condensateur	Capacitor	Capacitor	Condensador
21	13-995	A	1	Kabeltje, geel 100mm	Cable jaune 100mm	Yellow cable 100mm	Yellow cable 100mm	Cable Amarillo 100mm
22	12-117	A	1	Condensator	Condensateur	Capacitor	Capacitor	Condensador
23	2509099	A	1	Rondsel ø5x10	Rondelle ø5x10	Washer ø5x10	Washer ø5x10	Arandela ø5x10
24	13-951	A	1	Schroef 5x6	Vis 5x6	Screw 5x6	Screw 5x6	Tornillo 5x6
25	13-994	A	1	Kabeltje, rood 190mm	Cable rouge 190mm	Red cable 190mm	Red cable 190mm	Cable Rojo 190mm
26	13-996	A	1	Kabeltje, geel/groen 190mm	Cable jaune/vert 190mm	Yellow/green cable 190mm	Yellow/green cable 190mm	Cable Amarillo/Verde 190mm
27	13-998	A	1	Afstandsbus	Bague	Bushing	Bushing	Distanciador
28	13-926P	A	2	Schroef 3x16	Vis 3x16	Screw 3x16	Screw 3x16	Tornillo 3x16
29	12-106		1	Voedingscontact	Prise d'alimentation	Inlet socket	Inlet socket	Zócalo de entrada

30	13-939	A	1	Moer M12x1	Ecrou M12x1	Nut M12x1	Nut M12x1	Tuerca M12x1
31	13-008	AB	2	Rondsel ø12x18x0,5	Rondelle ø12x18x0,5	Washer ø12x18x0,5	Washer ø12x18x0,5	Arandela ø12x18x0,5
32	14-121	AB	1	Koelschroef	Ventilateur	Fan	Fan	Ventilador
33	13-999		1	Zekeringsring	Circlips	Seeger	Seeger	
34	13-941	A	1	Veerrondsel	Rondelle de pression	Wavey washer	Wavey washer	Arandela ondulada
35	ER.6002-2RS	A	1	Lager	Roulement	Bearing	Bearing	Cojinete 6002-2RS
36	13-997		1	Kabeldoorvoer	Passe cable	Fair lead	Fair lead	Aislante de cable
37	11-025	A	1	Stator	Stator	Stator housing	Stator housing	Compartimiento del estator
39	15-138	A	1	Isolatie ring	Anneau d'isolation	Insulation plate	Insulation plate	Placa de aislamiento
40	12-378	A	1	Schakelaar centrifugaal	Interrupteur centrifugal	Sarter switch	Sarter switch	Interruptor de arranque
41	13-370		2	Schroef M4x12	Vis M4x12	Screw M4x12	Screw M4x12	Tornillo M4x12
42	11-028	A	1	Rotor	Rotor	Rotor	Rotor	Rotor
43	11-029	A	1	Lager E20	Roulement E20	Bearing E20	Bearing E20	Cojinete E20
44	11-030	A	1	Isolatie ring	Anneau d'isolation	Insulation plate	Insulation plate	Placa de aislamiento
45	14-122	A	1	Reduktiekast compleet	Reduction complet	Gear box assy.	Gear box assy.	Conjunto de la caja de engranajes
46	14-125P	AB	1	Aandrijfring	Anneau de traction	Drive hub	Drive hub	Cubo de transmisión
48	14-133	AB	1	Flenshouder	Support flasque	Drive hub plate	Drive hub plate	Placa del cubo de transmisión
49	2508070		3	Schroef M8x20	Vis M8x20	Screw M8x20	Screw M8x20	Tornillo M8x20
				<i>Samengestelde onderdelen</i>	<i>Pièces composées</i>	<i>Assembly's</i>	<i>Assembly's</i>	<i>Despieces compuestos</i>
A	FL17-421P		1	Machine blok compleet	Bloc machine complet	Machine bloc complete	Machine bloc complete	Bloque de máquina completo
B	17-432		1	Aandrijfsysteem compleet	Système de traction complet	Traction system complete	Traction system complete	Sistema de tracción completo

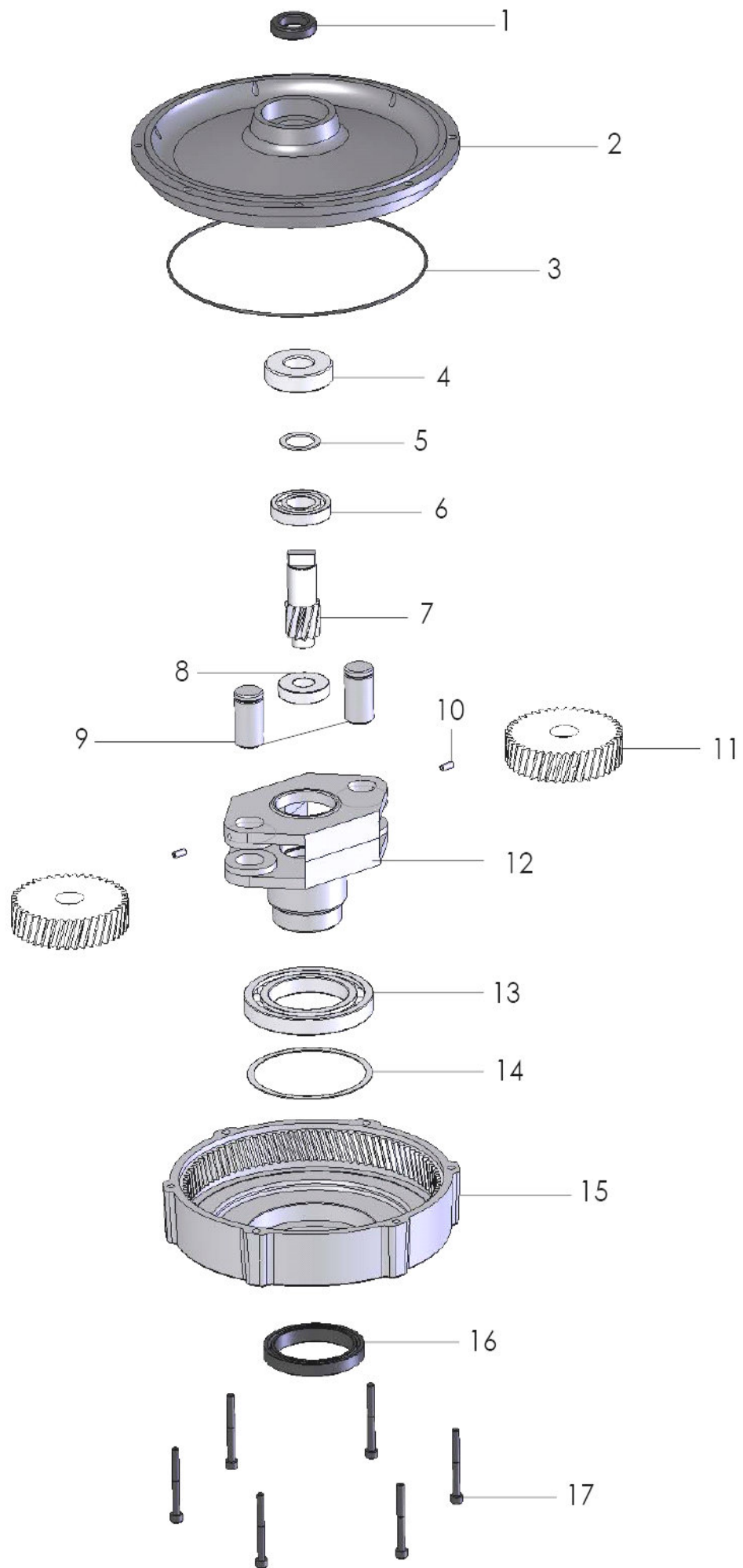


POS.	REF.	Assy.	N.O.	Omschrijving	Description	Description	Umschreibung	Descripcion
1	13-901	ABC	2	Schroef speciaal	Vis spéciale	Cover screw	Cover screw	Tornillo de cubierta
2	10-160	AB	1	met referentie 11=Handvat compleet	avec réf. 11=Manette complet	with ref. 11=complete grif	with ref. 11=complete grif	Empuñadura completa (2 pc)
3	15-426	AB	1	Verstelhendel	Manette réglage manche	Handle adjustment lever	Handle adjustment lever	Palanca de ajuste de mango
4	15-427	AB	1	Schakel hendel, rechts	Manette de mise en marche droite	Switch lever , right	Switch lever , right	Palanca de interruptor, derecha
5	13-902	ABC	1	Moer, zelfborgend M5	Ecrou autobloccant M5	Adjustment nut	Adjustment nut	Tuerca de ajuste
6	15-428	AB	1	Hendel voor tank	Manette pour réservoir	Fluid control lever	Fluid control lever	Palanca de control de líquido
7	13-903	AB	3	Pin	Axe	Pin	Pin	Pasador
8	15-429	AB	1	Afstandsbus	Entretoise	Spacer	Spacer	Separador
9	15-232	AB	1	Schakel hendel, links	Manette de mise en marche gauche	Switch lever , left	Switch lever , left	Palanca de interruptor, izquierda
10	14-032	AB	1	Kogel	Bille	Steel ball	Steel ball	Bola de acero
11	2509010	AB	1	Rondsel ø5	Rondelle ø5	Washer ø5	Washer ø5	Arandela ø5
12	13-891	AB	2	Rondsel	Rondelle	Washer	Washer	Arandela
13	13-906	ABC	2	Schroef M6 x 60	Vis M6 x 60	Cover screw M6 x 60	Cover screw M6 x 60	Tornillo de cubierta M6 x 60
14	13-907	ABC	4	Schroef M6 x 16	Vis M6 x 16	Cover screw M6 x 16	Cover screw M6 x 16	Tornillo de cubierta M6 x 16
15	13-908	ABC	2	Schroef M5 x 30	Vis M5 x 30	Cover screw M5 x 30	Cover screw M5 x 30	Tornillo de cubierta M5 x 30
16	13-909	ABC	2	Moer speciaal	Ecrou spécial	Cover nut	Cover nut	Tuerca de cubierta
17	15-431	AB	2	Veiligheidsknop	Bouton de sécurité	Safety interlock lever	Safety interlock lever	Palanca de interbloqueo de seguridad
18	14-259	AB	2	Veer	Ressort	Spring	Spring	Muelle
19	13-910	A	1	Schroef	Vis	Screw	Screw	Tornillo
20	15-430	A	2	Afstandsbus, lang	Entretoise, long	Spacer, long	Spacer, Long	Distanciador largo
21	16-323	A	1	Stofhoesje	Protection	Protection	Protection	Protección
22	13-301B	A	4	Moer, vierkant M5	Ecrou carré M5	Square nut M5	Square nut M5	Tuerca M5
23	15-130B	A	1	Houder tank	Support réservoir	Tank support	Tank support	Soporto deposito
24	15-130A	A	2	Houder tank	Support réservoir	Tank support	Tank support	Soporto deposito
25	13-301A	A	4	Schroef TC M5x35	Vis TC M5x35	Screw TC M5x35	Screw TC M5x35	Tornillo TC M5x35
26	14-258P	A	1	Steel	Manche	Handle down tube	Handle down tube	Tubo diagonal del manillar
27	15-130C	A	1	Houder tank	Support réservoir	Tank support	Tank support	Soporto deposito
28	14-257	A	1	Trekstang	Tige	Pull rod	Pull rod	Varilla de tracción

29	13-604	AD	1	Moer M6	Ecrou M6	Nut M6	Nut M6	Tuerca
30	13-011	AD	1	Pin 3 x 10	Pin 3 x 10	Retaining pin 3 x 10	Retaining pin 3 x 10	Tornillo
31	13-361		1	Schroef M6x30	Vis M6x30	Screw M6x30	Screw M6x30	Tornillo M6x30
32	14-256P	AD	1	Verbindingsstuk steel/voet	Connection manche/pied	Selector casing	Selector casing	Carcasa de selector
33	13-914P	AD	3	Schroef M8 x 60	Vis M8 x 60	Pivot bolt M8 x 60	Pivot bolt M8 x 60	Perno
34	13-012		1	Schroef M4x16	Vis M4x16	Screw M4x16	Screw M4x16	Tornillo M4x16
35	14-252	AD	1	Tandrad	Roue dentée	Selector gear	Selector gear	Engranaje selector
36	13-915	A	1	Rondsel	Rondelle	Washer	Washer	Arandela
37	14-255	A	1	Veer	Ressort	Selector spring	Selector spring	Muelle
38	14-254	A	1	Plunjer	Piston	Selector plunger	Selector plunger	Émbolo del selector
39	14-240P	AD	1	Voet	Pied	Pivot bracket	Pivot bracket	Soporte de pivote
40	13-932P	AD	4	Schroef M8x25	Vis M8x25	Screw M8x25	Screw M8x25	Tornillo M8x25
41	14-144		1	Houder schakelaar	Support interrupteur	Switch support	Switch support	Soporto interruptor
42	13-919		2	Schroef	Vis	Screw	Screw	Tornillo
43	12-108		1	Schakelaar	Interrupteur	Switch	Switch	Interruptor
44	13-922		2	Schroef 4 x 20	Vis 4 x 20	Screw 4 x 20	Screw 4 x 20	Tornillo
45	12-109		1	Kabelklem	Fixation cable	Cable clamp	Cable clamp	Abrazadera de cables
46	12-110		1	Kabel bruggetje	Pont	Holder	Holder	Soporte
47	12-118		1	Kabeldoorvoer	Passe-cable	Cable grommet	Cable grommet	Arandela aislante de cable
48(A)	12-111		1	Kabeltje+stekker 3x1 (voor 17-420P)	Cable+prise 3x1 (pour 17-420P)	Cable+connector 3x1 (for 17-420P)	Cable+connector3x1 (for 17-420P)	Cable+conector 3x1 (por 17-420P)
48(B)	12-101		1	Kabeltje+stekker 3x1,5 (voor 17-426P)	Cable+prise 3x1,5 (pour 17-426P)	Cable+connector 3x1,5 (for 17-426P)	Cable+connector3x1,5 (for 17-426P)	Cable+conector 3x1,5 (por 17-426P)
49	16-322		1	Dichting	Joint	Gasket	Gasket	Junta
50	15-433		1	Dekseltje	Couvercle	Cap	Cap	Tapa
52	12-103B		1	Plaatje voor kabeldoorvoer	Plaquette passe-cable	Cable support plate	Cable support plate	Placa soporte de cable
53	12-113		1	Kabeldoorvoer	Passe-cable	Fair lead	Fair lead	Aislante de cable
54	2508830		2	Rivet	Rivet	Rivet	Rivet	Rivet
55(A)	12-112		1	Netkabel 3x1,5mm²x12m.	Cable d'alimentation 3x1,5mm²x12m.	Main cable 3x1,5mm²x12m.	Main cable 3x1,5mm²x12m.	Cable principal 3x1,5mm²x12m.
55(B)	12-100		1	Netkabel 3x2,5mm²x15m.	Cable d'alimentation 3x2,5mm²x15m.	Main cable 3x2,5mm²x15m.	Main cable 3x2,5mm²x15m.	Cable principal 3x2,5mm²x15m.
56	15-432		1	Beshermingsrandje	Corniche	Protection bord	Protection bord	Protección
57	13-004C		1	Blokje	Bloc	Bloc	Bloc	Squadreta
58	13-004A		3	Moer M4	Ecrou M4	Nut M4	Nut M4	Tuerca M4

59	2509006		2	Rondsel ø4	Rondelle ø4	Washer ø4	Washer ø4	Arandela ø4
60	16-324		1	Dichting	Joint	Gasket	Gasket	Junta
61	2508529		2	Schroef M x 18	Vis M4 x 18	Screw M4 x 18	Screw M4 x 18	Tornillo M3 x 10
62	16-101		2	O-ring 4x8 SP.2	Joint torique 4x8 SP.2	O-ring 4x8 SP.2	Anillo 4x8 SP.2	O-ring 4x8 SP.2
63	12-032		1	Afdekkapje	Capot	Cap	Cap	Tapa
64	12-033	A	1	Stopcontact	Prise	Angular socket	Angular socket	Zócalo angular
65	10-999	A	1	Kabeltje	Cable	Cable	Cable	Cable

				<i>Samengestelde onderdelen</i>	<i>Pièces composées</i>	<i>Assembly's</i>	<i>Assembly's</i>	<i>Despieces compuestos</i>
A	17-423P		1	Hendel compleet C 43	Manche complet C 43	Complete Handle C 43	Complete Handle C 43	Mango completo C 43
B	17-431P		1	Handvat compleet C 43	Manette complet C 43	Comlete grif C 43	Comlete grif C 43	Empuñadura completa C 43
C	17-354		1	Set schroeven voor handvat	Serie de vis pour manette	Kit screws for frif	Kit screws for frif	Kit de tornillos para empuñadura
D	17-438P		1	Voet compleet	Pied complet	Complete Selector	Complete Selector	Selector completo



Pos.	REF.	N.O.	Omschrijving	Description	Description	Umschreibung	Descripción
1	16_105	1	Dichting 20x32x7	Joint spie 20x32x7	Gasket 20x32x7	Gasket 20x32x7	Junta 20x32x7
2	14_170	1	Deksel reductiekast	Couvercle reducteur	Reduction gear cover	Reduction gear cover	Tapa reductor
3	16_100	1	O-ring M181x2	Joint torique M181x2	O-ring M181x2	O-ring M181x2	Anillo M181x2
4	11_029	1	Lager E20	Roulement E20	Bearing E20	Bearing E20	Cojineta E20
5	13_065	1	Rondsel	Rondelle	Washer	Washer	Arandela
6	19_305	1	Lager	Roulement	Bearing	Bearing	Cojineto
7	14_187	1	Getande as	Axe denté	Crown gear axle	Crown gear axle	Eje conica
8	19_300	1	Lager E15	Roulement E15	Bearing E15	Bearing E15	
9	14_180	1	Pen	Axe	Axle	Axle	Eje
10	13_010	1	Stelschroef M4x10	Vis M4x10	Set screw M4x10	Set screw M4x10	Tornillo M4x10
11	15_230	2	Tandwiel	Roue dentée	Crown wheel	Crown wheel	Rueda dentada
12	14_184	2	Tandwielhouder	Support roues dentées	Crown gear support	Crown gear support	Soporte rueda dentada
13	19_310	2	Lager SC16011	Roulement SC16011	Bearing SC16011	Bearing SC16011	Cojineto SC16011
14	13_002	1	Rondsel 78x89x0,6	Rondelle 78x89x0,6	Washer 78x89x0,6	Washer 78x89x0,6	Arandela 78x89x0,6
15	14_190	1	Carter, getand	Carter denté	Carter	Carter	Caja
16	16_110	1	Dichting 55x70x10	Joint spie 55x70x10	Gasket 55x70x10	Gasket 55x70x10	Junta 55x70x10
17	2508013	8	Schroef M5x45	Vis M5x45	Screw M5x45	Screw M5x45	Tornillo M5x45