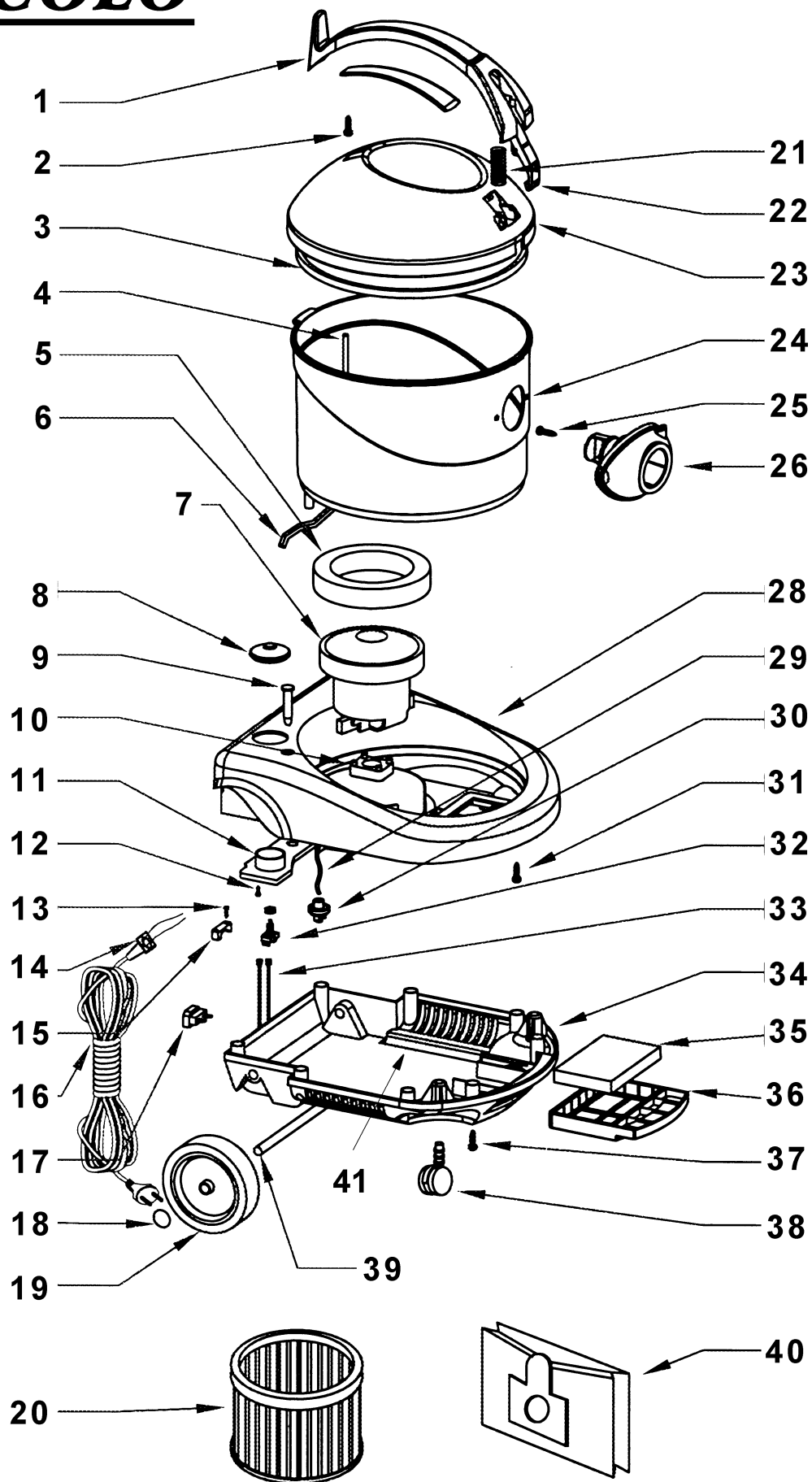


PICCOLO



Pos	Ref.	Omschrijving	Description	Description	Umschreibung	Descripción
1	PIC_98_001	HENDEL	POIGNEE	HANDLE	HANDLE	EMPUÑADURA
2	PIC_60_002	SCHROEF	VIS	SCREW	SCREW	TORNILLO
3	PIC_98_005	DICHTING KAP	JOINT CAPOT	CAP GASKET	CAP GASKET	JUNTA TAPA
4	PIC_98_036	PIN VOOR ANTISTATISCHE KABEL	TIGE POUR CABLE ANTISTATIC	ROD FOR ANTISTATIC CABLE	ROD FOR ANTISTATIC CABLE	EJE CABLE ANTISTATICO
5	PIC_60_037/HV	DICHTING MOTOR	JOINT MOTEUR	MOTOR GASKET	MOTOR GASKET	JUNTA MOTOR
6	PIC_98_035	ANTISTATISCHE KABEL	CABLE ANTISTATIC	ANTISTATIC CABLE	ANTISTATIC CABLE	CABLE ANTISTATICO
7	PIC_60_025HV	MOTOR	MOTEUR	MOTOR	MOTOR	MOTOR
8	PIC_98_010	AFDICHTING SCHAKELAAR	JOINT INTERRUPTEUR	SWITCH GASKET	SWITCH GASKET	JUNTA INTERRUPTOR
9	PIC_98_012	VERKLIKKERLICHTJE, ROOD	TEMOIN ROUGE	RED PILOT LIGHT	RED PILOT LIGHT	LUZ DETECTOR ROJO
10	PIC_98_016	DICHTING MOTOR	JOINT MOTEUR	UPPER GASKET MOTOR	UPPER GASKET MOTOR	JUNTA MOTOR
11	PIC_98_015	HOUDER VOOR SCHAKELAAR	SUPPORT INTERRUPTEUR	HOLDER FOR SWITCH	HOLDER FOR SWITCH	ENGANCHE INTERRUPTOR
12	PL_10_025	SCHROEFJE 2,9X9,5 TC	VIS 2,9X9,5 TC	SCREW 2,9X9,5 TC	SCREW 2,9X9,5 TC	TORNILLO
13	PL_60_010	SCHROEFJE	VIS	SCREW	SCREW	TORNILLO
14	PL_60_004	KABELDOORVOER	PASSE-CABLE	FAIR LEAD	FAIR LEAD	PASACABLE
15	PIC_40_506	KABELBRUG	FIXATION CABLE	CABLE CONNECTION	CABLE CONNECTION	PUENTE COLGANTE
16	PIC_60_000	NETKABEL	CABLE D'ALIMENTATION	POWER CORD	POWER CORD	CABLE DE ALIMENTACION
17	PIC_98_021	STEKKER	PRISE	PLUG	PLUG	ENCHUFE
18	PIC_98_024	ZEKERINGSRING	CIRCLIPS	SEEGER	SEEGER	CLIPS
19	PIC_98_017	WIEL	ROUE	WHEEL	WHEEL	RUEDA
20	PIC_98_009	ABSOLUUTFILTER	FILTRE ABSOLUT	FILTER	FILTER	FILTRO
20	PIC_98_009/HP	ABSOLUUTFILTER HEPA	FILTRE ABSOLUT HEPA	FILTER HEPA	FILTER HEPA	FILTRO HEPA
21	PIC_98_003	VEERTJE	RESSORT	SPRING FOR BUTTON	SPRING FOR BUTTON	RESORTE
22	PIC_98_002	KNOP	BOUTON	BUTTON FOR HANDLE	BUTTON FOR HANDLE	BOTON
23	PIC_98_004	KAP, GRIJS	CAPOT, GRIS	GREY CAP FOR PICCOLO	GREY CAP FOR PICCOLO	TAPA
24	PIC_98_006	KUIP	CUVE	DRUM	DRUM	CUBA
25	PL_60_002	SCHROEFJE	VIS	SCREW	SCREW	TORNILLO
26	PIC_98_042	KUIPINGANG	ENTREE DE CUVE	DRUM CONNECTION	DRUM CONNECTION	ENTRADA DE CUBA
28	PIC_98_008	BASIS	BASE	BASE	BASE	BASE
29	PIC_98_029	GEEL BUISJE	TUYAU JAUNE	YELLOW TUBE	YELLOW TUBE	TUBO AMARILLO

30	PIC_98_013	ONDERDRUKSCHAKELAAR	INTERRUPTEUR DEPRESSION	DEPRESSION SWITCH	DEPRESSION SWITCH	INTERRUPTOR A DEPRESION
31	PL_60_002	SCHROEFJE	VIS	SCREW	SCREW	TORNILLO
32	PIC_98_011	SCHAKELAAR	INTERRUPTEUR	SWITCH	SWITCH	INTERRUPTOR
33	PIC_98_022	BEKABELING	CABLAGE	WIRING	WIRING	CABLEADO ELETTRICO
34	PIC_98_007	BASISDEKSEL	COUVERCLE BASE	BASE COVER	BASE COVER	TAPA BASE
35	PIC_98_020	FILTER	FILTRE	FILTER	FILTER	FILTRO
36	PIC_98_014	FILTERHOUDER	SUPPORT FILTRE	FILTER SUPPORT	FILTER SUPPORT	ENGANCHE FILTRO
37	PL_60_002	SCHROEFJE	VIS	SCREW	SCREW	TORNILLO
38	PL_35_002	PIVOTEREND WIEL	ROUE PIVOTANTE	CASTOR WHEEL	CASTOR WHEEL	RUEDA PIVOTANTE
39	PIC_98_023	WIELAS	AXE DE ROUE	WHEEL AXLE	WHEEL AXLE	EJE RUEDA
40	PIC_98_019	PAPIERFILTER	FILTRE PAPIER	PAPER BAG	PAPER BAG	FILTRO PAPEL
41	PIC_98_027	FILTER 120X20MM	FILTRE 120X20MM	SPONGE FILTER 120X20	SPONGE FILTER 120X20	FILTRO 120X20