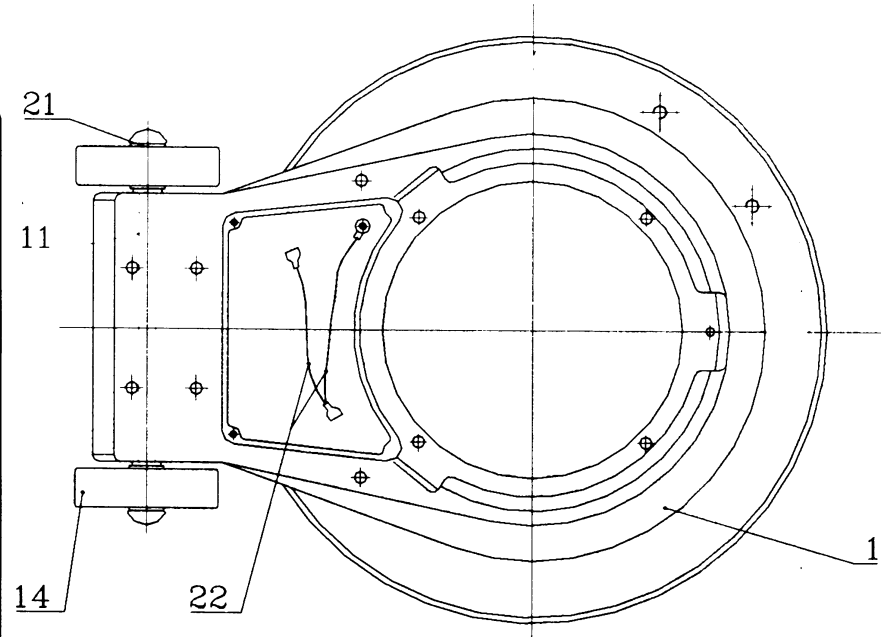
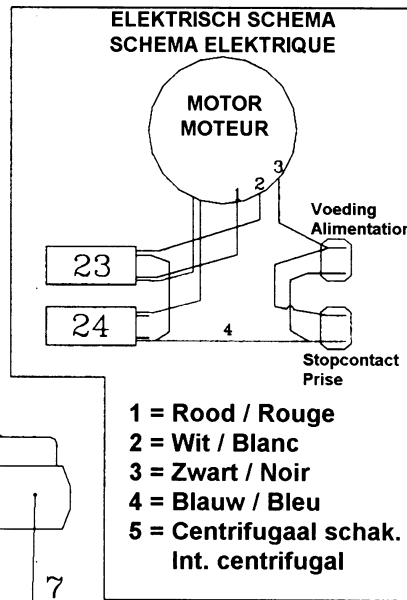
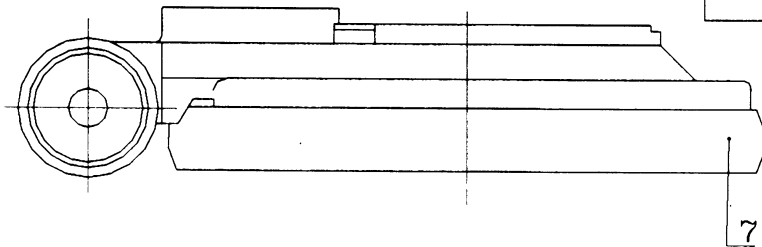
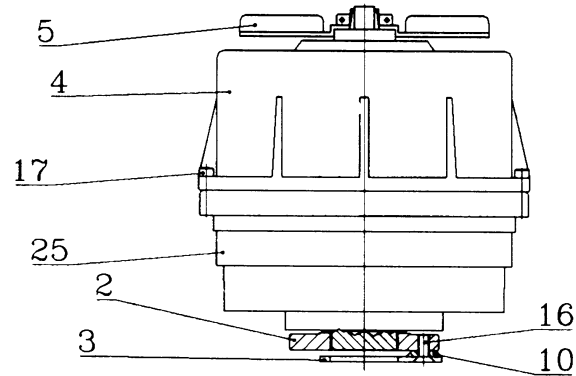
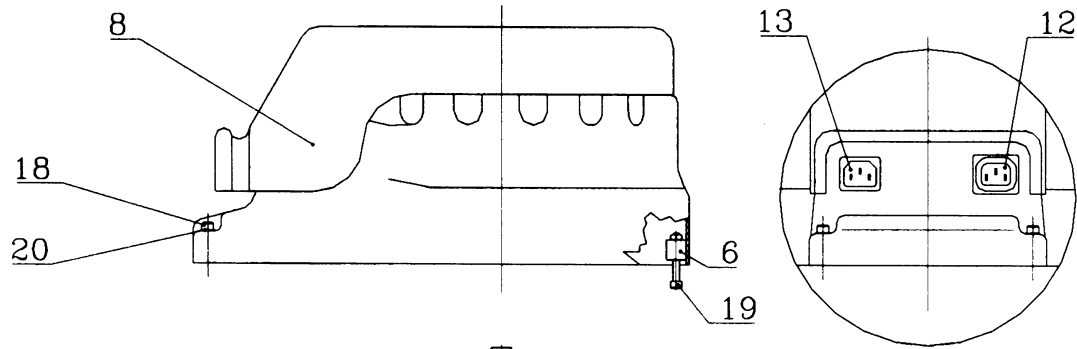
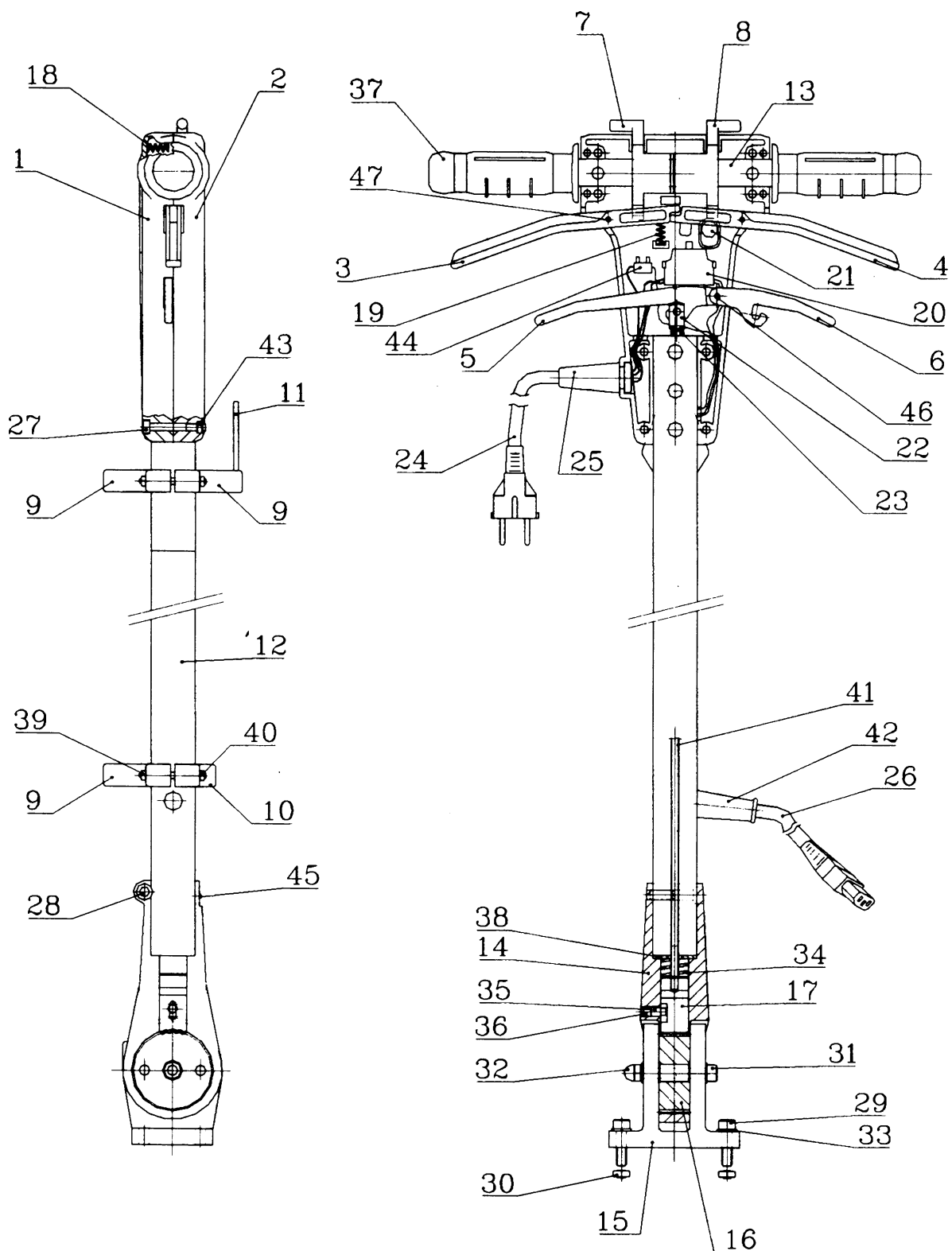


FLP17-154



POS.	REF.	Omschrijving	Description	Description	Description	Descripción
1	FLP17.02.001	CHASSIS, NAAKT FLP17	CHASSIS NUE FLP17	FRAME ONLY, FLP17	FRAME ONLY, FLP17	SÓLO BASTIDOR, FLP17
2	FLP17.02.002	HOUDER AANDRIJFFLENS FLP17	SUPPORT FLASQUE D'ENTRAINEMENT FLP17	DRIVE FLANSCH SUPPORT FLP17	DRIVE FLANSCH SUPPORT FLP17	SOPORTE DE BRIDA DE TRANSMISIÓN FLP17
3	FLP17.02.003	AANDRIJFFLENS FLP17	FLASQUE D'ENTRAINEMENT FLP17	DRIVE FLANSCH FLP17	DRIVE FLANSCH FLP17	BRIDA DE TRANSMISIÓN FLP17
4	FLP17.02.004	MOTOR FLP17 1.5PK	MOTEUR FLP17 1,5CH	MOTOR FLP17 1,5HP	MOTOR FLP17 1,5HP	MOTOR FLP17 1,5HP
5	FLP17.02.005	KOELSCHROEF MOTOR FLP17	AILETTE DE REFROIDISSEMENT FLP17	FAN FLP17	FAN FLP17	VENTILADOR FLP17
7	FLP17.02.007	STOOTRUBBER FLP17	PARE-CHOC FLP17	BUMPER FLP17	BUMPER FLP17	PARAGOLPES FLP17
8	FLP17.02.008	BOVENKAP FLP17, BLAUW	COUVERCLE FLP17, BLEU	BONNET FLP17 BLUE	BONNET FLP17 BLUE	CUBIERTA DE PROTECCIÓN FLP17 AZUL
10	FLP17.02.010	CONISCH RONDEL	RONDELLE CONIQUE	CONICAL WASHER	CONICAL WASHER	ARANDELA CÓNICA
11	FLP17.02.011	WIELAS	AXE DE ROUES	WHEEL AXLE	WHEEL AXLE	EJE DE RUEDA
12	FLP17.02.012	STOPCONTACT FEM.	PRISE FEM.	FEM. CONTACT	FEM. CONTACT	CONTACTO HEMBRA
13	FLP17.02.013	STOPCONTACT MAL.	PRISE MAL.	MAL. CONTACT	MAL. CONTACT	CONTACTO MACHO
14	FLP17.02.014	WIEL D.125 FLP17	ROUE D.125 FLP17	WHEEL D	WHEEL D	RUEDA D
16	FLP17.02.016	SCHROEF TSEI M8X20	VIS TSEI M8X20	SCREW TSEI M8X20	SCREW TSEI M8X20	TORNILLO TSEI M8X20
17	FLP17.02.017	SCHROEF, INBUS, TCEI M6X35	VIS, ALLEN, TCEI M6X35	SCREW, ALLEN, TCEI M6X35	SCREW, ALLEN, TCEI M6X35	TORNILLO, ALLEN, TCEI M6X35
18	FLP17.02.018	SCHROEF, INBUS, TCEI M5X12	VIS, ALLEN, TCEI M5X12	SCREW, ALLEN, TCEI M5X12	SCREW, ALLEN, TCEI M5X12	TORNILLO, ALLEN, TCEI M5X12
19	FLP17.02.019	SCHROEF, INBUS, TCEI M5X35	VIS, ALLEN, TCEI M5X35	SCREW, ALLEN, TCEI M5X35	SCREW, ALLEN, TCEI M5X35	TORNILLO, ALLEN, TCEI M5X35
20	FLP17.02.020	RONDEL D.5X10	RONDELLE D.5X10	WASHER D.5X10	WASHER D.5X10	ARANDELA D.5X10
21	FLP17.02.021	BEVESTIGINGSKAPJE D.12 WIEL FLP17	CAPOT DE FIXATION D.12 ROUE FLP17	WHEEL CAP D.12 FLP17	WHEEL CAP D.12 FLP17	SOMBRERETE DE RUEDA D.12 FLP17
22	FLP17.02.022	AARDINGSKABEL	CABLE DE MISE A LA TERRE	EARTH CABLE	EARTH CABLE	CABLE DE TIERRA
23	FLP17.02.023	CONDENSATOR 100/125MF FLP17	CONDENSATEUR 100/125MF FLP17	CAPACITOR 100/125MF FLP17	CAPACITOR 100/125MF FLP17	CONDENSADOR 100/125MF FLP17
24	FLP17.02.024	CONDENSATOR 16MF FLP17	CONDENSATEUR 16MF FLP17	CAPACITOR 16MF FLP17	CAPACITOR 16MF FLP17	CONDENSADOR 25MF FLP17
25	FLP17.02.025	REDUCTIE KOMPLEET FLP17	REDUCTION COMPLET FLP17	REDUCTION GEAR COMPLETE FLP17	REDUCTION GEAR COMPLETE FLP17	ENGRANAJE REDUCTOR COMPLETO FLP17
26	FLP17.02.030	NYLON TANDWIEL 154TR Z=44	COURONNE NYLON 154TR Z=44	NYLON GEAR 154TR Z=44	NYLON GEAR 154TR Z=44	ENGRANAJE DE NYLON 154TR Z=44
27	FLP17.02.031	METAAL TANDWIEL 154TR Z=12	COURONNE METAL 154TR Z=12	METAL GEAR 154TR Z=12	METAL GEAR 154TR Z=12	ENGRANAJE METÁLICO 154TR Z=12



POS.	REF.	Omschrijving	Description	Description	Description	Descripción
1	FLP17.01.001	DEKSEL HANDVAT, BOVEN FLP17	COUVERCLE POIGNEE, SUPERIEUR FLP17	UPPER COVER, HANDLE FLP17	UPPER COVER, HANDLE FLP17	CUBIERTA SUPERIOR, MANGO FLP17
2	FLP17.01.002	DEKSEL HANDVAT, ONDER FLP17	COUVERCLE POIGNEE, INFERIEUR FLP17	UNDER COVER, HANDLE FLP17	UNDER COVER, HANDLE FLP17	CUBIERTA INFERIOR, MANGO FLP17
3	FLP17.01.003	STARHENDEL RECHTS FLP17	MANETTE DE DEMARRAGE, DROITE FLP17	START LEVER, RIGHT FLP17	START LEVER, RIGHT FLP17	PALANCA DE INICIO, DERECHA FLP17
4	FLP17.01.004	STARHENDEL LINKS FLP17	MANETTE DE DEMARRAGE, GAUCHE FLP17	START LEVER, LEFT FLP17	START LEVER, LEFT FLP17	PALANCA DE INICIO, IZQUIERDA FLP17
5	FLP17.01.005	VERSTELHENDEL STEEL FLP17	MANETTE DE CONTROLE MANCHE FLP17	CONTROL LEVER FOR HANDLE FLP17	CONTROL LEVER FOR HANDLE FLP17	PALANCA DE CONTROL PARA EL MANGO FLP17
6	FLP17.01.006	HENDEL TANKBEDIENING FLP17	MANETTE DE CONTROLE RESERVOIR FLP17	CONTROL LEVER TANK FLP17	CONTROL LEVER TANK FLP17	PALANCA DE CONTROL DEL DEPÓSITO FLP17
7	FLP17.01.007	VEILIGHEIDSHENDEL, RECHTS FLP17	MANETTE DE SECURITE, DROITE FLP17	SAFETY HANDLE, RIGHT FLP17	SAFETY HANDLE, RIGHT FLP17	MANGO DE SEGURIDAD, DERECHO FLP17
8	FLP17.01.008	VEILIGHEIDSHENDEL, LINKS FLP17	MANETTE DE SECURITE, GAUCHE FLP17	SAFETY HANDLE, LEFT FLP17	SAFETY HANDLE, LEFT FLP17	MANGO DE SEGURIDAD, IZQUIERDO FLP17
9	FLP17.01.009	SET HOUDERS VOOR TANK	SRIE DE SUPPORTS POUR RESERVOIR	KIT SUPPORTS FOR TANK	KIT SUPPORTS FOR TANK	KIT DE SOPORTES PARA EL DEPÓSITO
12	FLP17.01.012	STEEL, NAAKT, FLP17	MANCHE, NUE, FLP17	HANDLE, NAKED, FLP17	HANDLE, NAKED, FLP17	MANGO SIN REVESTIMIENTO FLP17
13	FLP17.01.013	BUIS HANDVAT	TUYAU POIGNEE	HANDLE TUBE	HANDLE TUBE	TUBO DEL MANGO
14	FLP17.01.014	VERBINDINGSSTUK STEEL/VOET	CONNECTION MANCHE/PIED	SELECTOR CASING	SELECTOR CASING	CARCASA DE SELECTOR
15	FLP17.01.015	VOET	PIED	PIVOT BRACKET	PIVOT BRACKET	SOPORTE DE PIVOTE
16	FLP17.01.016	TANDRAD	ROUE DENTEE	SELECTOR GEAR	SELECTOR GEAR	ENGRANAJE SELECTOR
17	FLP17.01.017	PLUNJER	PISTON	SELECTOR PLUNGER	SELECTOR PLUNGER	ÉMBOLO DEL SELECTOR
18	FLP17.01.018	VEER	RESSORT	SPRING	SPRING	MUELLE
21	FLP17.01.021	VEILIGHEIDSKOGEL	BILLE DE SECURITE	SAFETY BALL	SAFETY BALL	BOLA DE SEGURIDAD
22	FLP17.01.022	VORK M6	FOURCHETTE M6	FORK M6	FORK M6	HORQUILLA M6
23	FLP17.01.023	VORK CLIPS M6	CLIPS FOURCHETTE M6	FORK CLIP M6	FORK CLIP M6	PINZA DE HORQUILLA M6
24	FLP17.01.024	NETSNOER 3X2.5 15M	CABLE D'ALIMENTATION 3X2.5 15M	POWER CORD 3X2.5 15M	POWER CORD 3X2.5 15M	CABLE DE ALIMENTACIÓN 3X2.5 15M
25	FLP17.01.025	KABELDOORVOER	PASSE-CABLE	FAIR LEAD	FAIR LEAD	GUÍA
26	FLP17.01.026	NETSNOER 3X1.5 1.2M	CABLE D'ALIMENTATION 3X1.5 1.2M	POWER CORD 3X1.5 1.2M	POWER CORD 3X1.5 1.2M	CABLE DE ALIMENTACIÓN 3X1.5 1.2M
27	FLP17.01.027	SCHROEF, INBUS, TCEI M6X45	VIS, ALLEN, TCEI M6X45	SCREW, ALLEN, TCEI M6X45	SCREW, ALLEN, TCEI M6X45	TORNILLO, ALLEN, TCEI M6X45
28	FLP17.01.028	SCHROEF, INBUS, TCEI M8X35	VIS, ALLEN, TCEI M8X35	SCREW, ALLEN, TCEI M8X35	SCREW, ALLEN, TCEI M8X35	TORNILLO, ALLEN, TCEI M8X35
29	FLP17.01.029	SCHROEF, INBUS, TCEI M8X30	VIS, ALLEN, TCEI M8X30	SCREW, ALLEN, TCEI M8X30	SCREW, ALLEN, TCEI M8X30	TORNILLO, ALLEN, TCEI M8X30
30	FLP17.01.030	MOER M8	ÉCROU M8	NUT M8	NUT M8	TUERCA M8
31	FLP17.01.031	SCHROEF, INBUS, TCEI M8X60	VIS, ALLEN, TCEI M8X60	SCREW, ALLEN, TCEI M8X60	SCREW, ALLEN, TCEI M8X60	TORNILLO, ALLEN, TCEI M8X60
32	FLP17.01.032	BLINDE MOER M8	ÉCROU BLINDE M8	BLIND NUT M8	BLIND NUT M8	TUERCA CIEGA M8
33	FLP17.01.033	RONDSSEL 8X17X1.5	RONDELLE 8X17X1.5	WASHER 8X17X1.5	WASHER 8X17X1.5	ARANDELA 8X17X1,5

34	FLP17.01.034	VEER	RESSORT	SPRING	SPRING	MUELLE
35	FLP17.01.035	STELSCHROEF M8X12	VIS SANS TETE M8X12	SCREW M8X12	SCREW M8X12	TORNILLO M8X12
36	FLP17.01.036	STELSCHROEF M8X6	VIS SANS TETE M8X6	SCREW M8X6	SCREW M8X6	TORNILLO M8X6
37	FLP17.01.037	HANDGRIP	POIGNEE EN CAOUTCHOUC	HAND GRIP IN RUBBER	HAND GRIP IN RUBBER	EMPUÑADURA DE CAUCHO
38	FLP17.01.038	RONDSEL 35X12X2.5	RONDELLE 35X12X2.5	WASHER 35X12X2.5	WASHER 35X12X2.5	ARANDELA 35X12X2,5
39	FLP17.01.039	SCHROEF, INBUS, TCEI M5X45	VIS, ALLEN, TCEI M5X45	SCREW, ALLEN, TCEI M5X45	SCREW, ALLEN, TCEI M5X45	TORNILLO, ALLEN, TCEI M5X45
40	FLP17.01.040	MOER M5	ECROU M5	NUT M5	NUT M5	TUERCA M5
41	FLP17.01.041	TREKSTANG M6X780	TIGE M6X780	TIE ROD M6X780	TIE ROD M6X780	BARRA DE ACOPLAMIENTO M6X780
42	FLP17.01.042	KABELDOORVOER NZ76	PASSE-CABLE NZ76	FAIRLEAD NZ76	FAIRLEAD NZ76	GUÍA NZ76
43	FLP17.01.043	MOER M6	ECROU M6	NUT M6	NUT M6	TUERCA M6
44	FLP17.01.044	CONTACTBLOKJE 2-POLIG	BLOC DE CONTACT 2-POL.	CONTACT-BLOC 2-POL.	CONTACT-BLOC 2-POL.	BLOQUE DE CONTACTO 2 POS.
45	FLP17.01.045	RIVET ZELFTAPPEND 3.5X9.5	RIVET AUTOFIL. 3.5X9.5	RIVET SELFTAP. 3.5X9.5	RIVET SELFTAP. 3.5X9.5	REMACHE AUTORROSCANTE 3,5X9,5
46	FLP17.01.046	PIN 4X23.8	AXE 4X23.8	PIN 4X23.8	PIN 4X23.8	PASADOR 4X23,8
47	FLP17 01 047	PIN	AXE	PIN	PIN	PASADOR